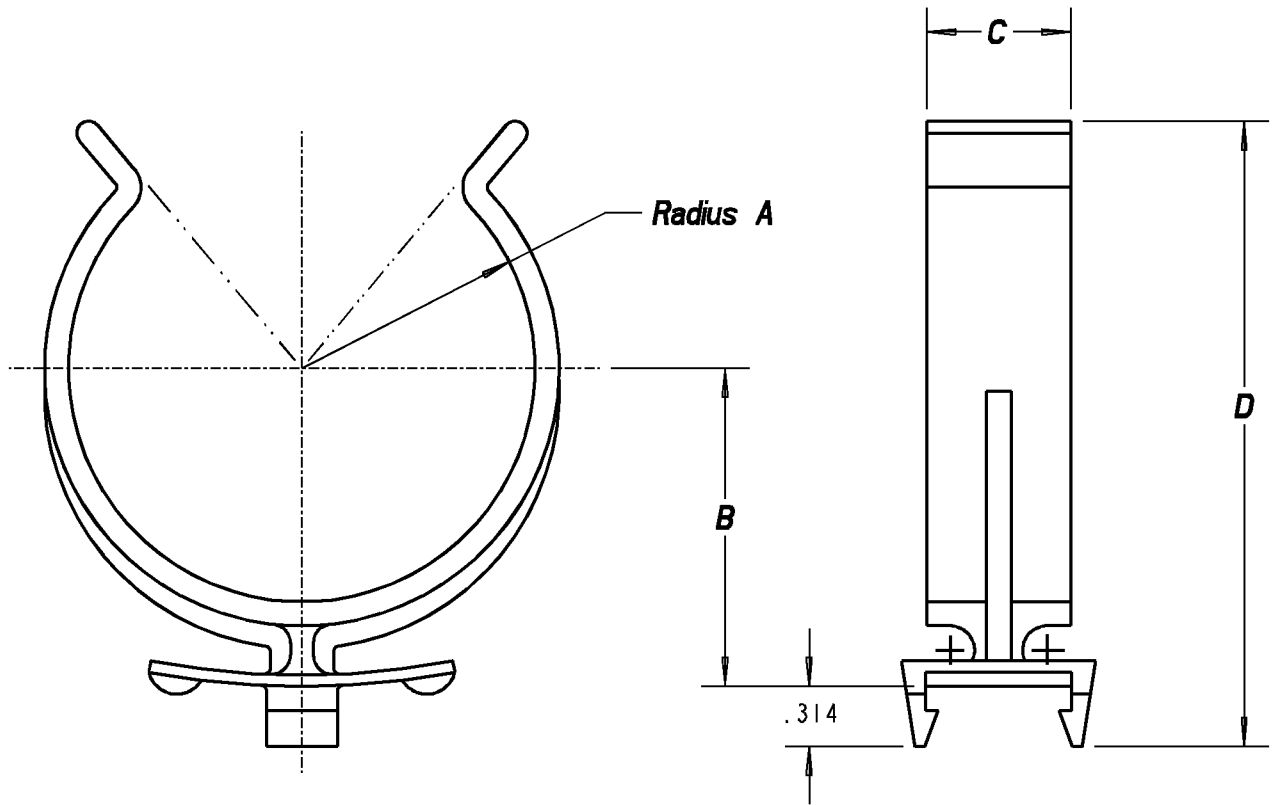


# Carlton®




PART NO.	SIZE	A	B	C	D
S287F	1" (27)	.68 (17.3)	1.106 (28.1)	.75 (19.1)	2.15 (54.6)
S287J	2" (53)	1.21 (30.7)	1.656 (42.1)	.75 (19.1)	3.26 (82.8)

**IMPORTANT:**

- THE USE OF DUCT SPACERS FOR DIRECT BURIAL MAY RESULT IN EXCESSIVE POINT DEFLECTIONS UNLESS PROPER DESIGN ENGINEERING IS APPLIED, SUCH AS THE PROPER COMPACTION OF THE APPROPRIATE BACKFILL MATERIAL.
- CARLTON® IS NOT RESPONSIBLE FOR SNAP-LOC® & SNAP-N-STAC™ SPACERS USED IN DIRECT BURY APPLICATIONS... DESIGN ENGINEERS AND CONTRACTORS ARE RESPONSIBLE FOR THE DESIGN OF THE INSTALLATION.

MATERIAL: HIGH IMPACT STYRENE.

<b>GENERAL NOTES</b>		 www.tnb.com			
1. ALL DIMENSIONS ARE FOR REFERENCE ONLY. 2. DIMENSIONS IN BRACKETS [ ] ARE IN METRIC UNITS.					
<b>REVISIONS</b>		<b>REDUCER - SPACER</b>			
B	SEE ERN ( 2012853 ) FOR APPROVAL SIGNATURES & RELEASE DATE. PROJECT NO: 5AM000013	ORIGINAL PROJECT NO / ( ERN NO ) <b>ND55840 / ( 2009791 )</b>	SHEET NO: <b>1 OF 1</b>	REV. NO: <b>B</b>	DRAWING NO: <b>WSD-AC03925</b>