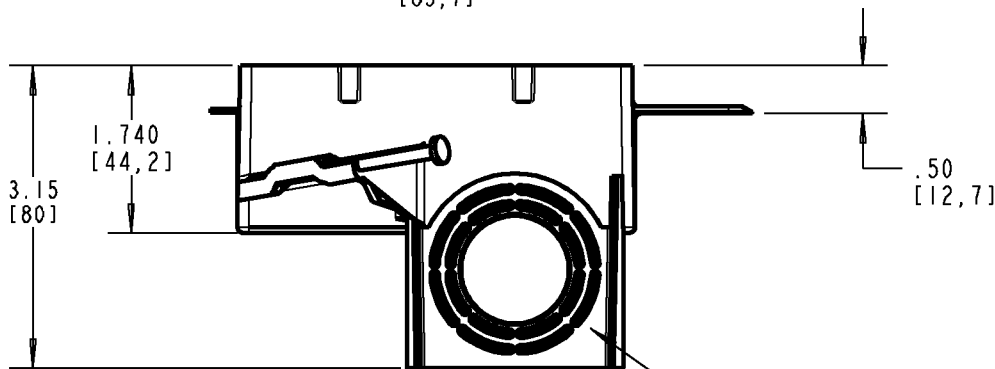
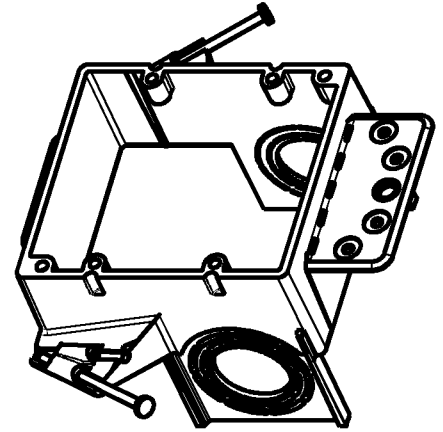
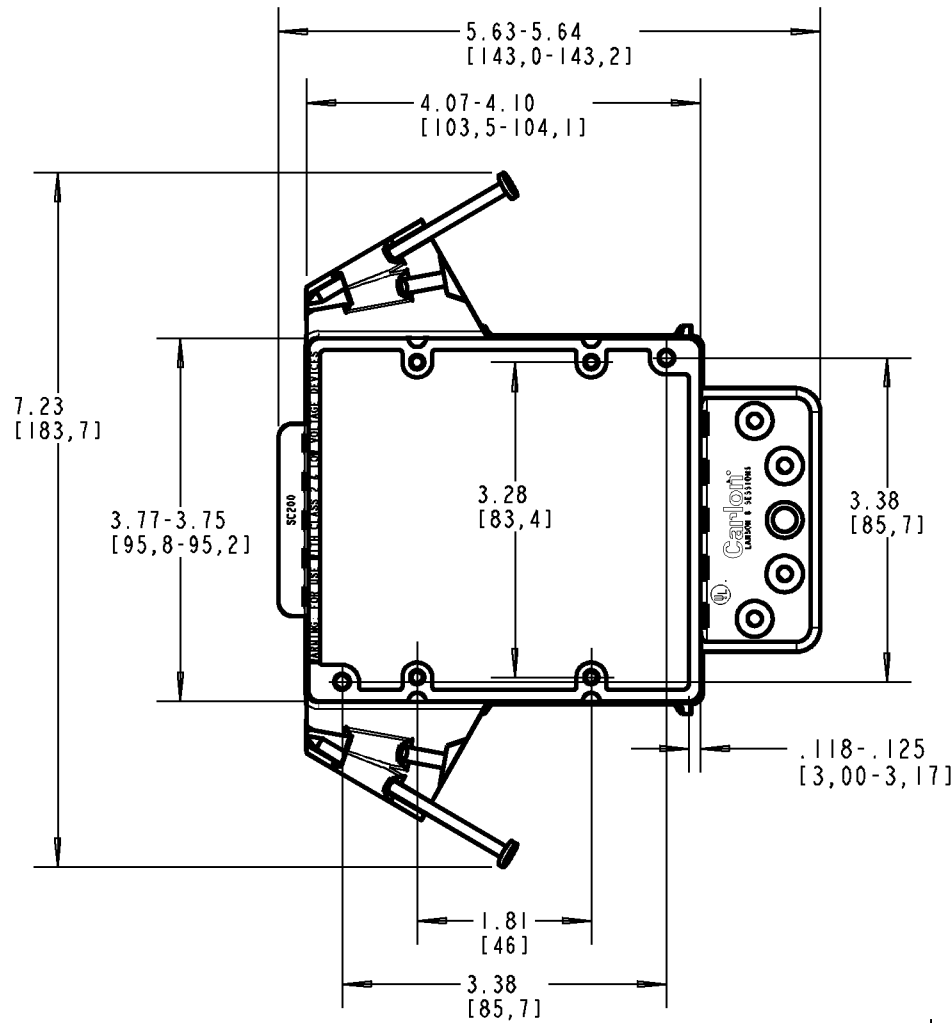


Carlton®



— OPENING FOR 3/4" PORT
KNOCKOUTS FOR 1" & 1-1/4" PORTS

P/N
SC200A
SC200AR

GENERAL NOTES

1. ALL DIMENSIONS ARE FOR REFERENCE ONLY.
2. DIMENSIONS IN BRACKETS [] ARE IN METRIC UNITS.

REVISIONS

C SEE ERN 2015324 FOR APPROVAL SIGNATURES & RELEASE DATE.
PROJECT NO: NM400330

Thomas & Betts
www.tnb.com

DESCRIPTION: **2 GANG - OPEN BACK BRACKET**

ORIGINAL PROJECT NO / (ERN NO)
/ 2009801

SHEET NO:
1 OF 1

REV. NO:
C

DRAWING NO:
WSD-AC04003