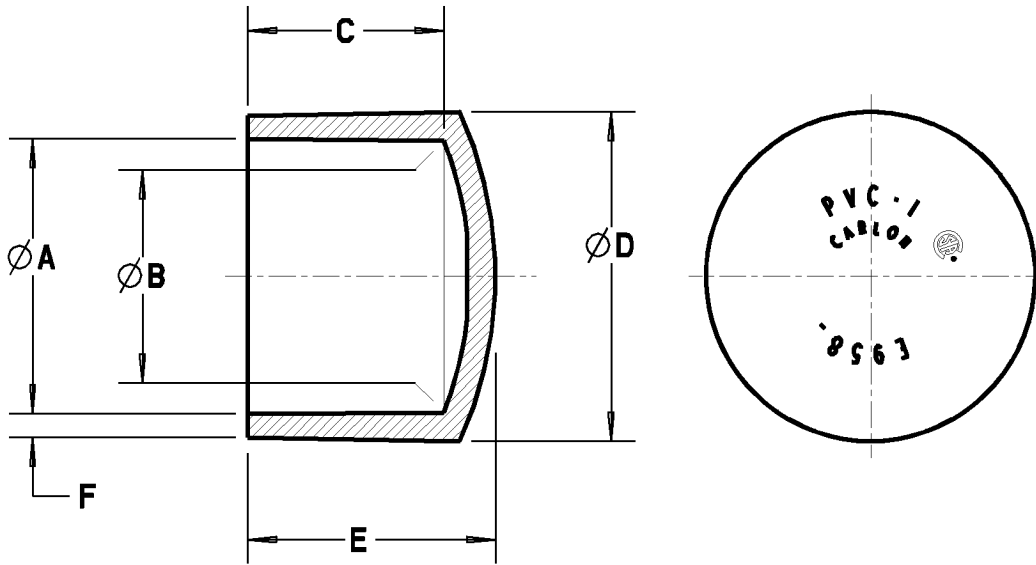


Carlton



PART NO.	TRADE SIZE	A	B	C MIN. SOCKET DEPTH	D	E	F
E958D E958D-CTN E958DL	1/2"	.85 (21.6)	.84 (21.3)	.56 (14.2)	1.18 (29.9)	1.12 (28.4)	.095 (2.4)
E958E E958E-CTN E958EL	3/4"	1.06 (26.9)	1.05 (26.6)	.98 (24.9)	1.37 (34.8)	1.29 (32.8)	.095 (2.4)
E958F E958F-CTN E958FL	1"	1.33 (33.8)	1.31 (33.3)	1.11 (28.2)	1.67 (42.4)	1.48 (37.6)	.10 (2.5)
E958G E958G-CTN E958GL	1-1/4"	1.68 (42.7)	1.66 (42.2)	1.25 (31.8)	2.03 (51.6)	1.73 (43.9)	.12 (3.0)
E958H E958H-CTN E958HL	1-1/2"	1.92 (48.8)	1.89 (48.0)	1.36 (34.5)	2.28 (57.9)	1.7 (45.2)	.12 (3.0)
E958J E958J-CTN E958JL	2"	2.36 (59.9)	2.37 (60.2)	1.44 (36.6)	2.81 (71.4)	2.26 (57.4)	.13 (3.3)
E958K	2-1/2"	2.89 (73.4)	2.87 (72.9)	2.16 (54.9)	3.39 (86.1)	2.95 (74.9)	.165 (4.2)
E958L	3"	3.52 (89.4)	3.49 (88.6)	2.22 (56.5)	4.09 (103.9)	3.00 (76.2)	.216 (5.5)
E958N	4"	4.52 (114.8)	4.49 (114.0)	2.23 (56.6)	5.20 (132.1)	3.48 (88.4)	.237 (6.0)
E958P	5"	5.59 (142.0)	5.55 (141.0)	3.27 (83.1)	6.25 (158.8)	4.77 (121.2)	.258 (6.6)
E958R	6"	6.66 (169.2)	6.61 (167.9)	3.59 (91.2)	7.39 (187.7)	5.23 (132.8)	.28 (7.1)

GENERAL NOTES

- ALL DIMENSIONS ARE FOR REFERENCE ONLY.
- DIMENSIONS IN BRACKETS [] ARE IN METRIC UNITS.

REVISIONS

*** SEE ERN (****) FOR APPROVAL SIGNATURES & RELEASE DATE.
PROJECT NO: ****

Thomas & Betts
www.tnb.com

DESCRIPTION:

END CAPS

ORIGINAL PROJECT NO / (ERN NO)

/ ()

SHEET NO:

1 OF 1

REV. NO:

C

DRAWING NO:

WSD-AC04093