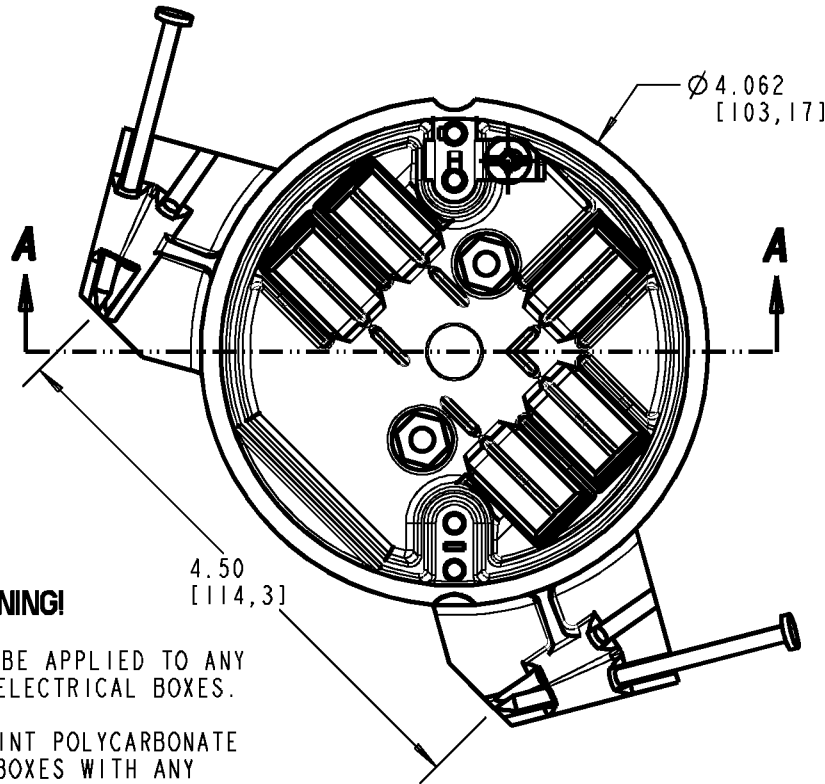
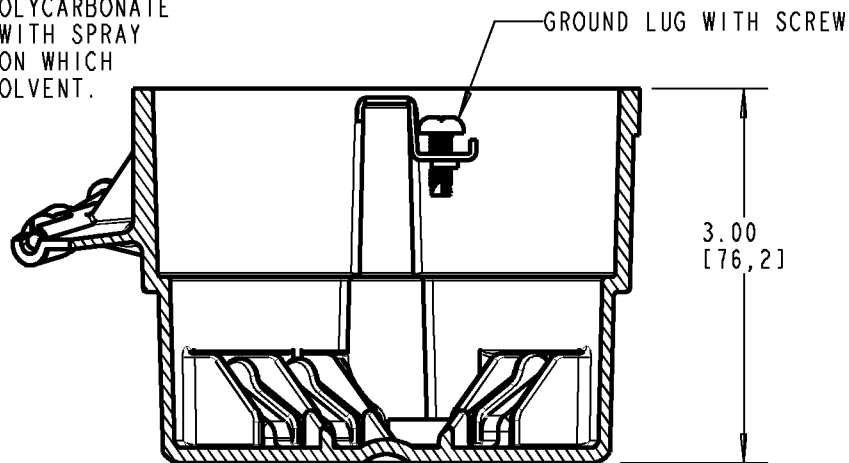


# Carlton®



**WARNING!**

- \* SOLVENTS CANNOT BE APPLIED TO ANY POLYCARBONATE ELECTRICAL BOXES.
- \* DO NOT SPRAY PAINT POLYCARBONATE ELECTRICAL BOXES WITH ANY SOLVENT-BASED PAINT.
- \* DO NOT SPRAY PAINT POLYCARBONATE ELECTRICAL BOXES WITH SPRAY PAINT APPLICATION WHICH INCLUDES ANY SOLVENT.



SECTION **A-A**  
SCALE 0.650

P/N  
BH525P  
BH525S

**GENERAL NOTES**

1. ALL DIMENSIONS ARE FOR REFERENCE ONLY.
2. DIMENSIONS IN BRACKETS [ ] ARE IN METRIC UNITS.

**REVISIONS**

**B** SEE ERN 2016537 FOR APPROVAL SIGNATURES & RELEASE DATE.  
PROJECT NO: NM400330

**Thomas & Betts**  
www.tnb.com

DESCRIPTION: **SUPER BLUE CEILING BOX  
W/GROUND LUG**

ORIGINAL PROJECT NO / ( ERN NO )  
/ ( )

SHEET NO:  
1 OF 1

REV. NO:  
**B**

DRAWING NO:  
**WSD-AC04168**