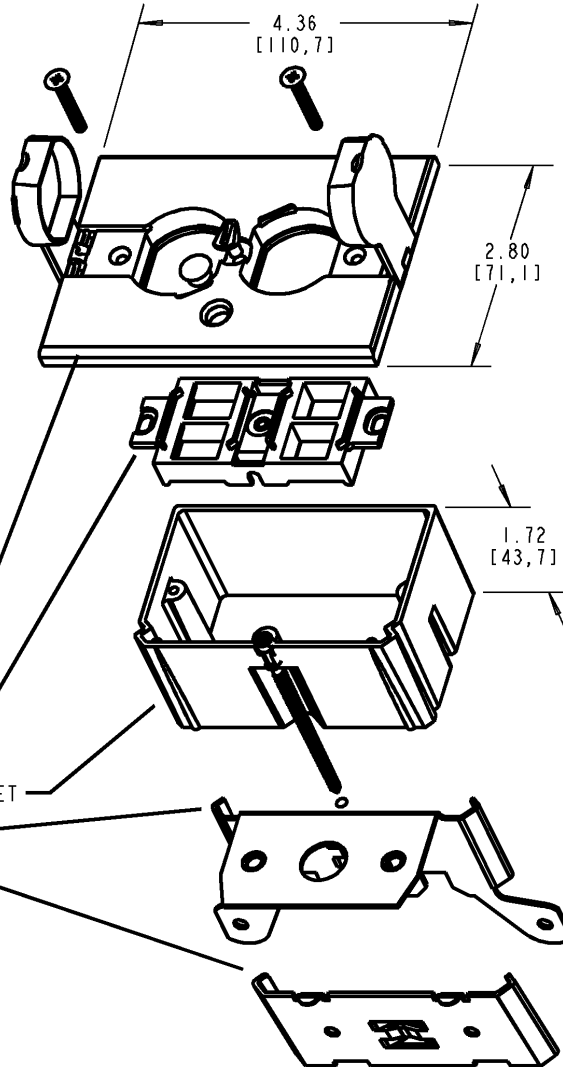


Carlton

PART NO	COLOR
SC100FBVC	IVORY
SC100FBWC	WHITE
SC100FBBC	BRASS



LOW VOLTAGE ADJUSTABLE
FLOOR BRACKET KIT INCLUDES:

- UL LISTED FLOOR BOX COVER
- "QUICKPORT" QUAD INSERT
- UL LISTED ADJUSTABLE FLOOR BRACKET
- NEW WORK MOUNTING BRACKET
- OLD WORK MOUNTING BRACKET
- MOUNTING SCREWS
- INSTALLATION INSTRUCTIONS

GENERAL NOTES		Thomas & Betts <small>www.tnb.com</small>			
1. ALL DIMENSIONS ARE FOR REFERENCE ONLY. 2. DIMENSIONS IN BRACKETS [] ARE IN METRIC UNITS.					
REVISIONS		ORIGINAL PROJECT NO / (ERN NO)	SHEET NO:	REV. NO:	DRAWING NO:
** SEE ERN (****) FOR APPROVAL SIGNATURES & RELEASE DATE. PROJECT NO: ****		/ ()	1 OF 1	A	WSD-AC04363

THIS DRAWING IS INTENDED FOR DESCRIPTIVE PURPOSES ONLY. AND THE RIGHT IS RESERVED TO DEVIATE FROM ANY OF THE DETAILS SHOWN HEREON.
©2008 Thomas & Betts - Proprietary. All Rights Reserved