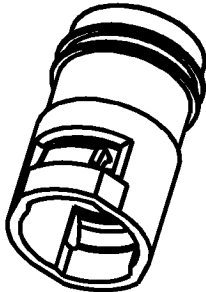
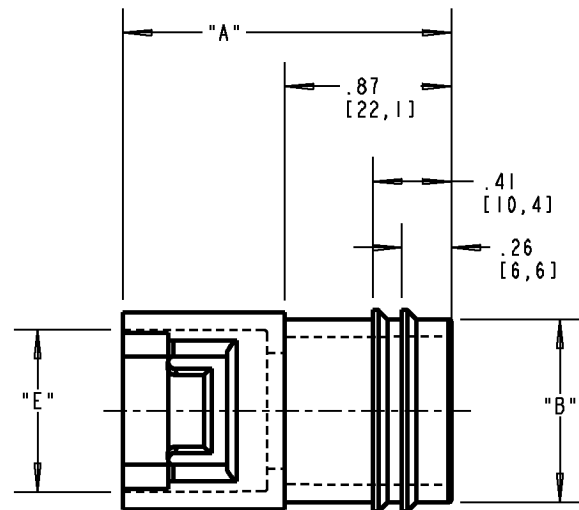
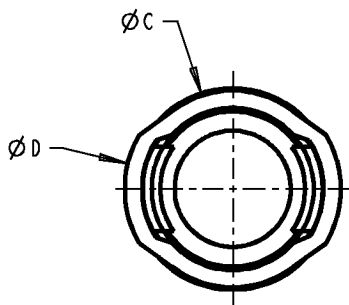


Carlton



P/N A273DE SHOWN
SCALE 0.750



PART NO.	SIZE	DIM. A	"B" ENT SIZE	ϕC	ϕD	"E" ENT SIZE
A273DE A273DE-CAR	3/4"-1/2"	1.71 [43.5]	3/4"	1.03 [26.1]	1.12 [28.5]	1/2"
A273EF	1"-3/4"	1.85 [46.9]	1"	1.25 [31.7]	1.35 [34.2]	3/4"

NOTE:
1. MATERIAL: BLUE THERMOPLASTIC

GENERAL NOTES

- ALL DIMENSIONS ARE FOR REFERENCE ONLY.
- DIMENSIONS IN BRACKETS [] ARE IN METRIC UNITS.

REVISIONS

*** SEE ERN (****)
FOR APPROVAL SIGNATURES
& RELEASE DATE.
PROJECT NO: ****

Thomas & Betts
www.tnb.com

DESCRIPTION: **ENT MALE TO FEMALE REDUCER**

ORIGINAL PROJECT NO / (ERN NO)
/ ()

SHEET NO:
1 OF 1

REV. NO:
B

DRAWING NO:
WSD-AC04381