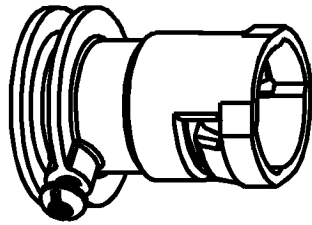
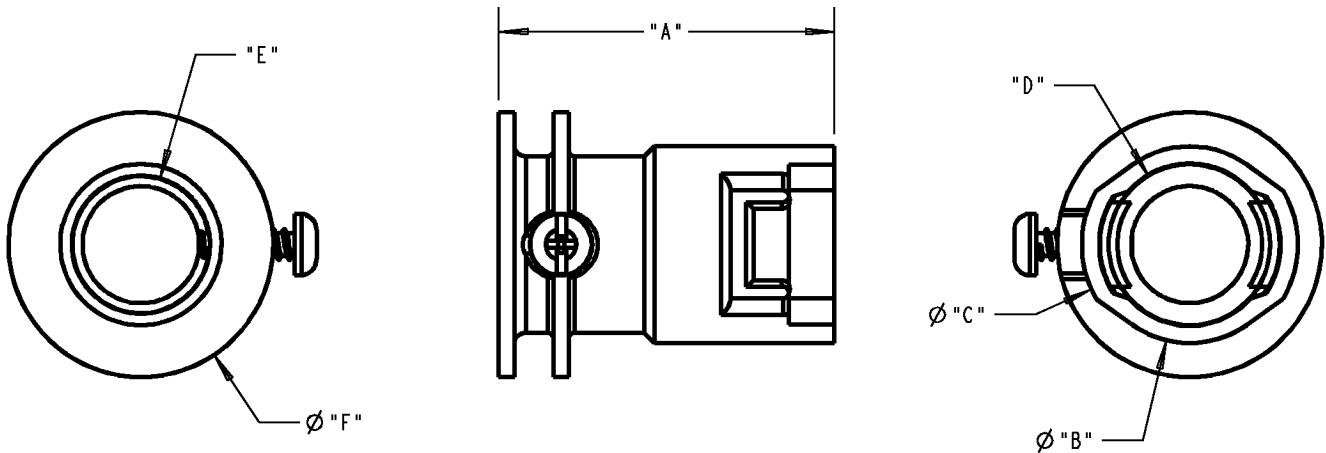


Carlton®



P/N A245D SHOWN
SCALE 0.750



PART NO.	SIZE	DIM. A	Ø B	Ø C	"D" ENT SIZE	"E" EMT SIZE	Ø F
A245D A245D-CAR E245DCL	1/2"	1.75 [44.5]	1.03 [26.1]	1.13 [28.6]	1/2"	1/2"	1.38 [35.1]
A245E A245E-CAR A245ECL	3/4"	1.75 [44.5]	1.25 [31.7]	1.35 [34.2]	3/4"	3/4"	1.58 [40.1]
A245F	1"	2.00 [50.8]	1.52 [38.6]	1.62 [41.2]	1"	1"	1.78 [45.1]

NOTE:
1. MATERIAL: BLUE THERMOPLASTIC

GENERAL NOTES

- ALL DIMENSIONS ARE FOR REFERENCE ONLY.
- DIMENSIONS IN BRACKETS [] ARE IN METRIC UNITS.

REVISIONS

*** SEE ERN (****) FOR APPROVAL SIGNATURES & RELEASE DATE.
PROJECT NO: ****

Thomas & Betts
www.tnb.com

DESCRIPTION: **ENT TO EMT ADAPTER**

ORIGINAL PROJECT NO / (ERN NO)
/ ()

SHEET NO:
1 OF 1

REV. NO:
A

DRAWING NO:
WSD-AC04383