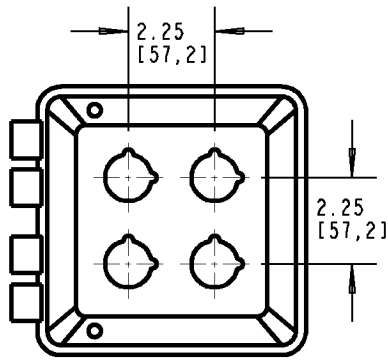
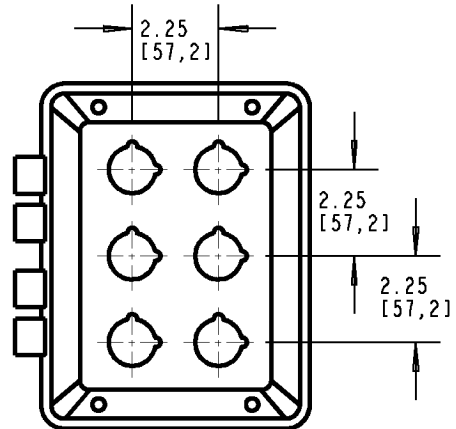


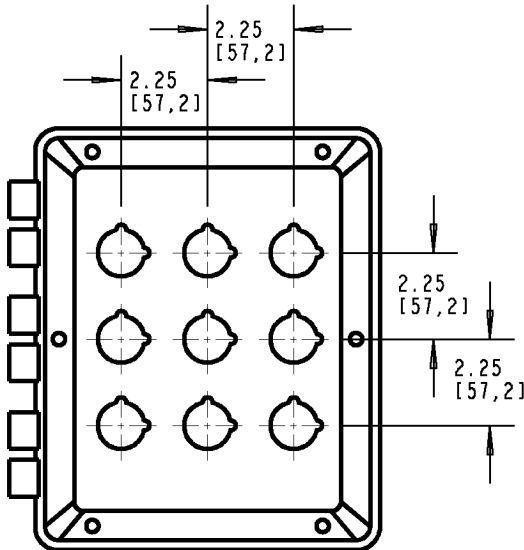
# Carlton®



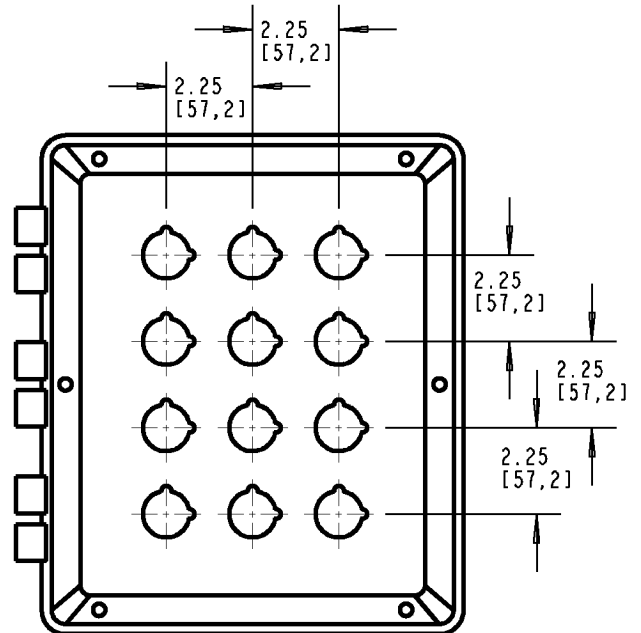
J665P  
4 HOLES



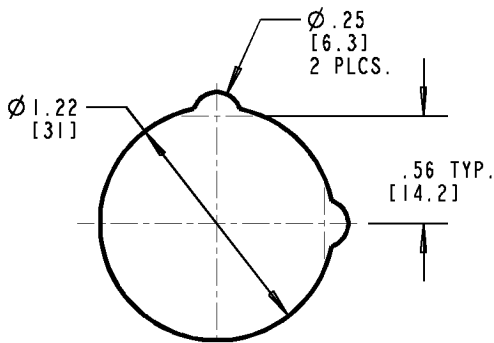
J863P  
6 HOLES



J1085P  
9 HOLES



J12106P  
12 HOLES



HOLE DETAIL

NOTES:

1. SEE DRAWING WSD-AC01610 FOR ENCLOSURE DIMENSIONS.

GENERAL NOTES

1. ALL DIMENSIONS ARE FOR REFERENCE ONLY.
2. DIMENSIONS IN BRACKETS [ ] ARE IN METRIC UNITS.

REVISIONS

\*\*\* SEE ERN ( \*\*\*\* ) FOR APPROVAL SIGNATURES & RELEASE DATE.  
PROJECT NO: \*\*\*\*

**Thomas & Betts**  
www.tnb.com

DESCRIPTION: **PUSH BUTTON ENCLOSURES**

ORIGINAL PROJECT NO / ( ERN NO )

SHEET NO:

REV. NO:

DRAWING NO:

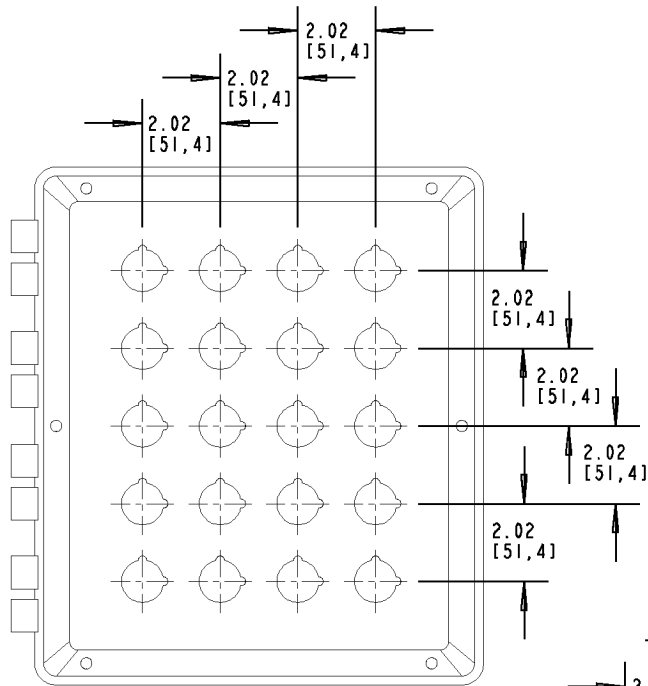
/ ( )

1 OF 2

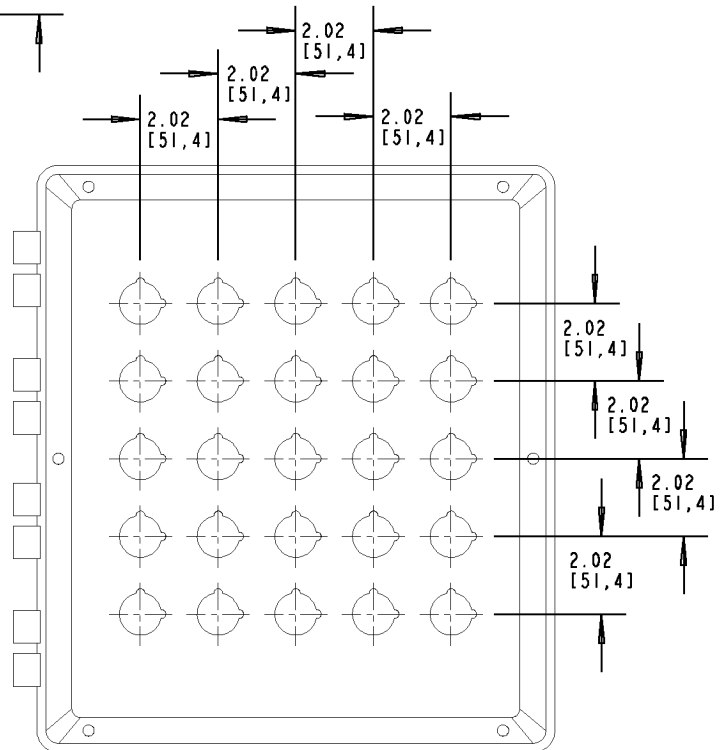
A

**WSD-AC04490**

# Carlton®



J14126P  
20 HOLES



J16147P  
25 HOLES

**NOTES:**

1. SEE DRAWING WSD-AC01610 FOR ENCLOSURE DIMENSIONS.

**Thomas & Betts**  
www.tnb.com

DESCRIPTION:

**PUSH BUTTON ENCLOSURES**

SHEET NO:

**2 OF 2**

REV. NO:

**A**

DRAWING NO:

**WSD-AC04490**