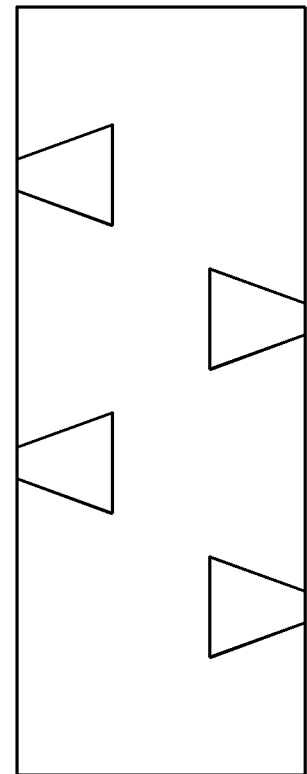
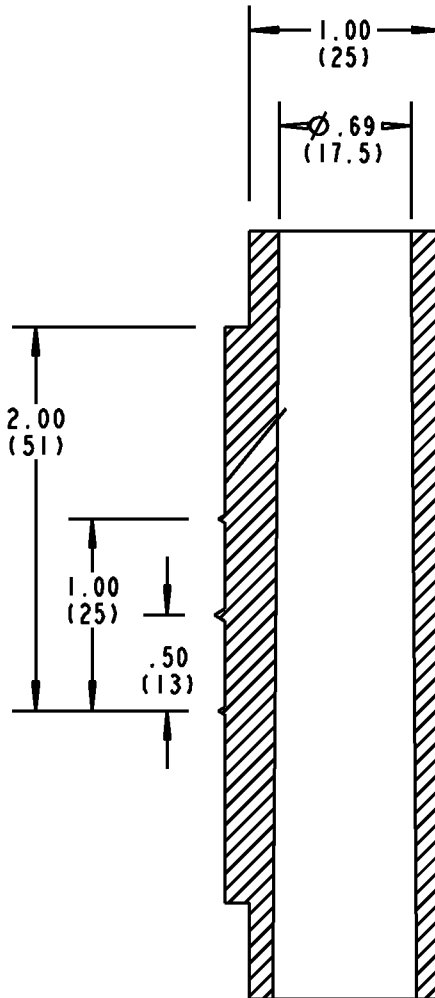
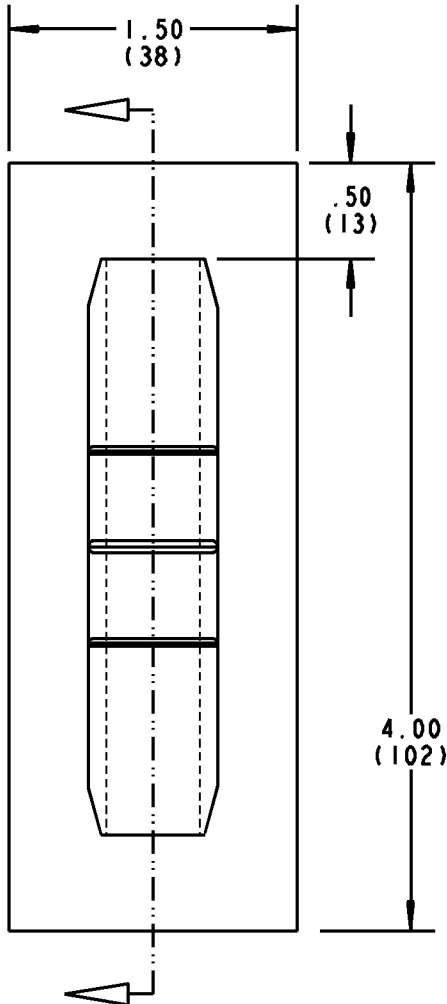
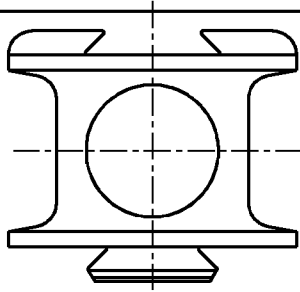


Carlton®

P/N S258RH



IMPORTANT:

- THE USE OF DUCT SPACERS FOR DIRECT BURIAL MAY RESULT IN EXCESSIVE POINT DEFLECTIONS UNLESS PROPER DESIGN ENGINEERING IS APPLIED, SUCH AS THE PROPER COMPACTION OF THE APPROPRIATE BACKFILL MATERIAL.
- CARLTON® IS NOT RESPONSIBLE FOR SNAP-LOC® SPACERS USED IN DIRECT BURY APPLICATIONS... DESIGN ENGINEERS AND CONTRACTORS ARE RESPONSIBLE FOR THE DESIGN OF THE INSTALLATION.

GENERAL NOTES

1. ALL DIMENSIONS ARE FOR REFERENCE ONLY.
2. DIMENSIONS IN BRACKETS [] ARE IN METRIC UNITS.

REVISIONS

B SEE ERN (2012853)
FOR APPROVAL SIGNATURES
& RELEASE DATE.
PROJECT NO: 5AM000013

Thomas & Betts
www.tnb.com

DESCRIPTION:

REBAR HOLDER

ORIGINAL PROJECT NO / (ERN NO)
ND55840 / (2009799)

SHEET NO:
1 OF 1

REV. NO:
B

DRAWING NO:
WSD-AC04570