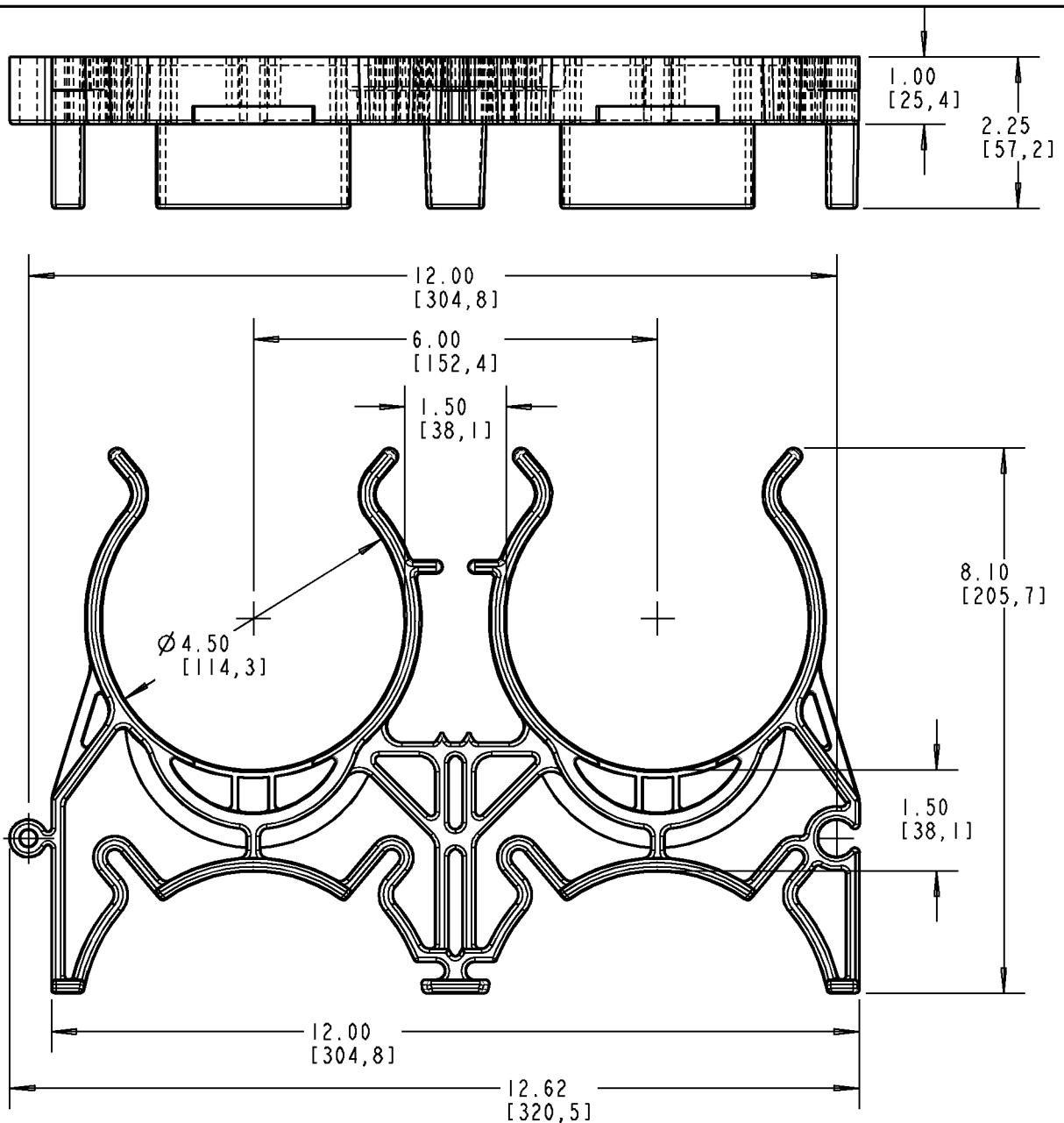


Carlton®




IMPORTANT:

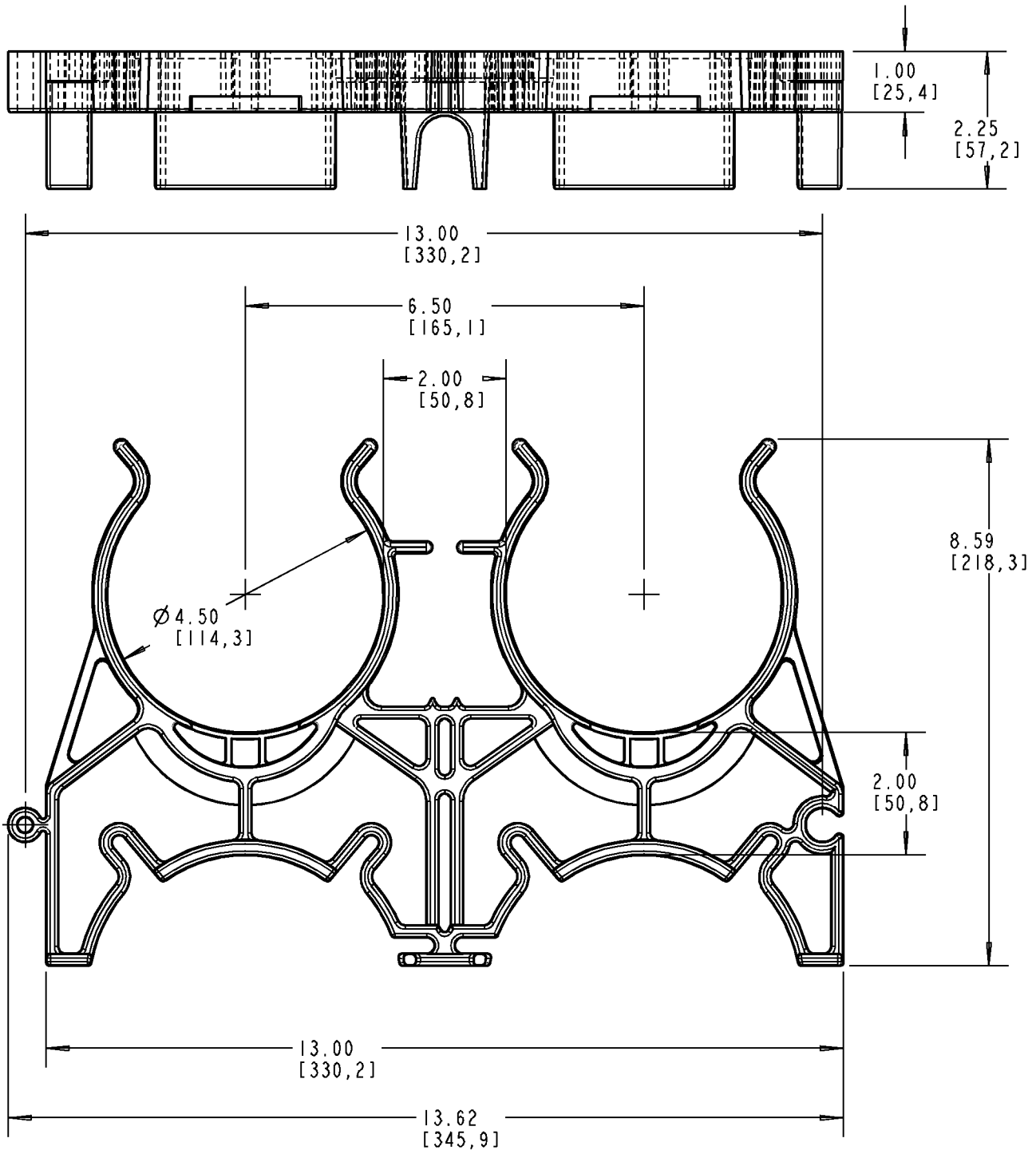
- SNAP-N-STAC™ SPACERS ARE RECOMMENDED FOR CONCRETE ENCASED APPLICATIONS ONLY.
- THE USE OF DUCT SPACERS FOR DIRECT BURIAL MAY RESULT IN EXCESSIVE POINT DEFLECTIONS UNLESS PROPER DESIGN ENGINEERING IS APPLIED, SUCH AS THE PROPER COMPACTION OF THE APPROPRIATE BACKFILL MATERIAL.
- CARLTON® IS NOT RESPONSIBLE FOR SNAP-N-STAC™ SPACERS USED IN DIRECT BURY APPLICATIONS... DESIGN ENGINEERS AND CONTRACTORS ARE RESPONSIBLE FOR THE DESIGN OF THE INSTALLATION.

MATERIAL: HIGH-IMPACT POLYSTYRENE

P/N SP4W15-2

GENERAL NOTES		 www.tnb.com			
1. ALL DIMENSIONS ARE FOR REFERENCE ONLY. 2. DIMENSIONS IN BRACKETS [] ARE IN METRIC UNITS.					
REVISIONS		DESCRIPTION: SPACER, 4" DUCT X 1-1/2" SPACING			
B SEE ERN (2012853) FOR APPROVAL SIGNATURES & RELEASE DATE. PROJECT NO: 5AM000013					
ORIGINAL PROJECT NO / (ERN NO)		SHEET NO:	REV. NO:	DRAWING NO:	
ND55840 / (2009799)		1 OF 3	B	WSD-AC04663	

Carlton®



MATERIAL: HIGH-IMPACT POLYSTYRENE

P/N SP4W20-2

GENERAL NOTES

1. ALL DIMENSIONS ARE FOR REFERENCE ONLY.
2. DIMENSIONS IN BRACKETS [] ARE IN METRIC UNITS.

REVISIONS

B SEE ERN (2012853) FOR APPROVAL SIGNATURES & RELEASE DATE.
PROJECT NO: 5AM000013

Thomas & Betts
www.tnb.com

DESCRIPTION:

SPACER, 4" DUCT X 2" SPACING

ORIGINAL PROJECT NO / (ERN NO)

ND55840 / (2009799)

SHEET NO:

2 OF 3

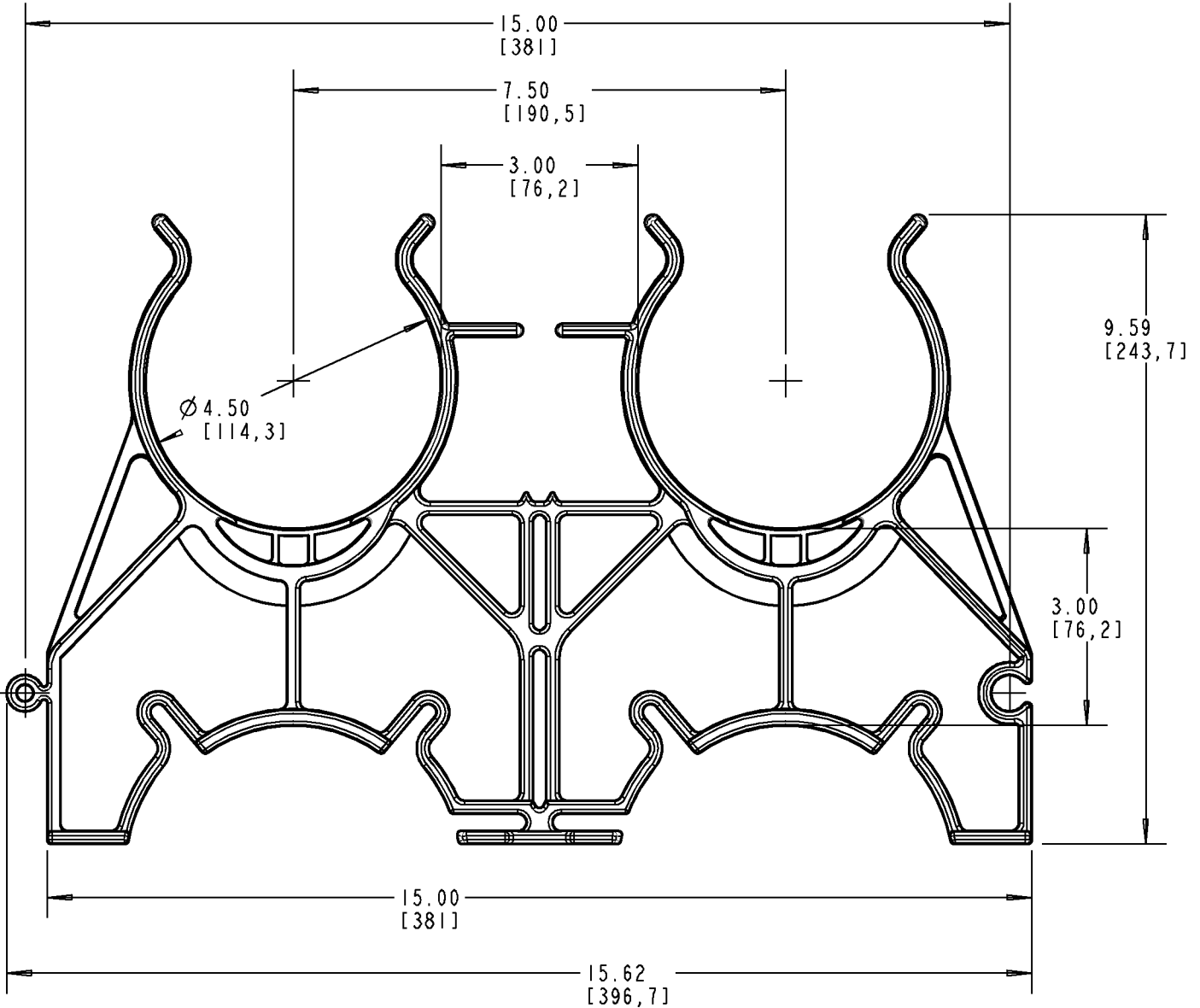
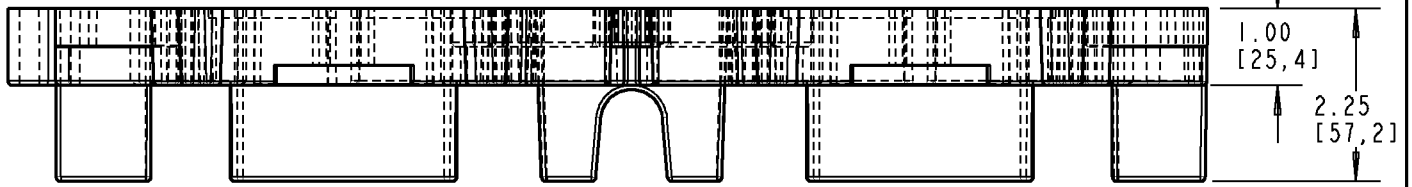
REV. NO:

B

DRAWING NO:

WSD-AC04663

Carlton®



MATERIAL: HIGH-IMPACT POLYSTYRENE

P/N SP4W30-2

GENERAL NOTES

1. ALL DIMENSIONS ARE FOR REFERENCE ONLY.
2. DIMENSIONS IN BRACKETS [] ARE IN METRIC UNITS.

REVISIONS

B SEE ERN (2012853)
FOR APPROVAL SIGNATURES
& RELEASE DATE.
PROJECT NO: 5AM000013

Thomas & Betts
www.tnb.com

DESCRIPTION:

SPACER, 4" DUCT X 3" SPACING

ORIGINAL PROJECT NO / (ERN NO)

ND55840 / (2009799)

SHEET NO:

3 OF 3

REV. NO:

B

DRAWING NO:

WSD-AC04663