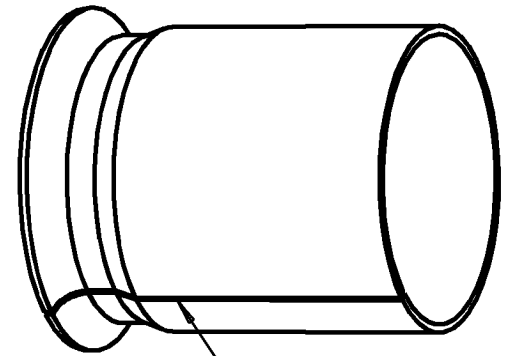
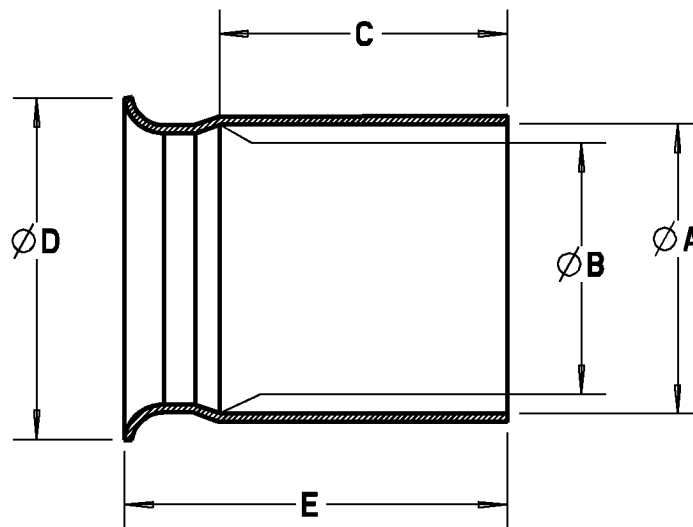


# Carlton®



SPLIT ON ONE  
SIDE ONLY



PART NO.	NOMINAL SIZE	ØA	ØB	C	D	E
E9098PS	5"	5.61 [142.5]	5.73 [145.5]	4.25 [107.9]	6.50 [165.1]	6.00 [152.4]
E9098NS	4"	4.38 [111.3]	4.35 [110.5]	3.25 [82.6]	5.75 [146.0]	6.00 [152.4]

### GENERAL NOTES

- ALL DIMENSIONS ARE FOR REFERENCE ONLY.
- DIMENSIONS IN BRACKETS [ ] ARE IN METRIC UNITS.

### REVISIONS

SEE ERN ( \*\*\*\* )  
FOR APPROVAL SIGNATURES  
& RELEASE DATE.  
PROJECT NO: \*\*\*\*

**Thomas & Betts**  
www.tnb.com

DESCRIPTION:

**SPLIT BELL END**

ORIGINAL PROJECT NO / ( ERN NO )

/ ( )

SHEET NO:

1 OF 1

REV. NO:

A

DRAWING NO:

**WSD-AC04683**