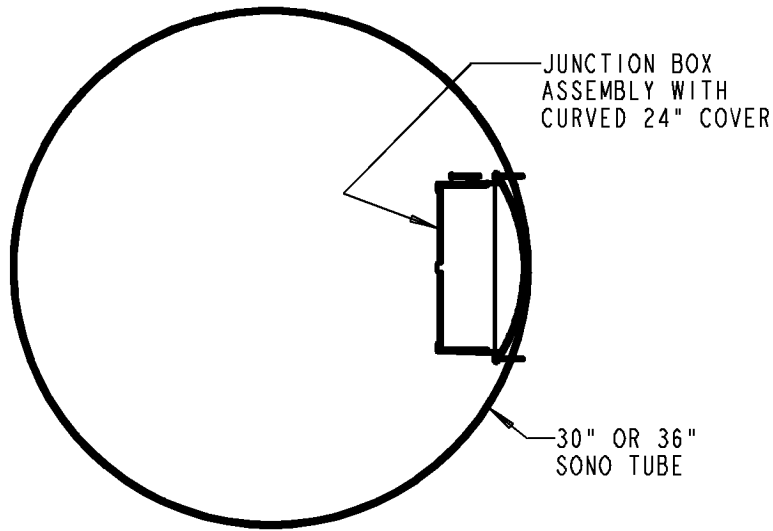
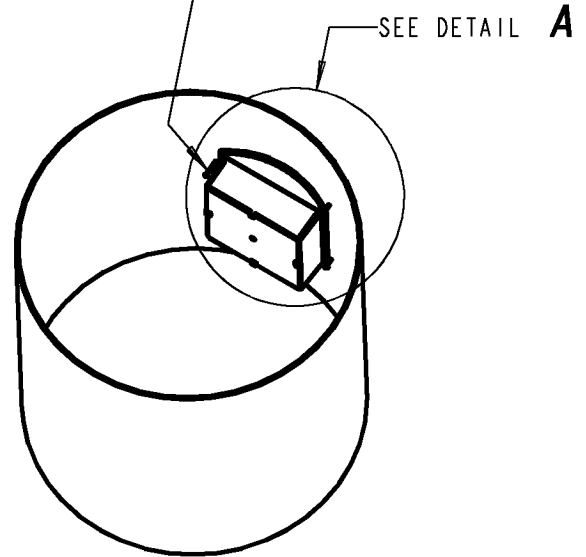


# Carlton®

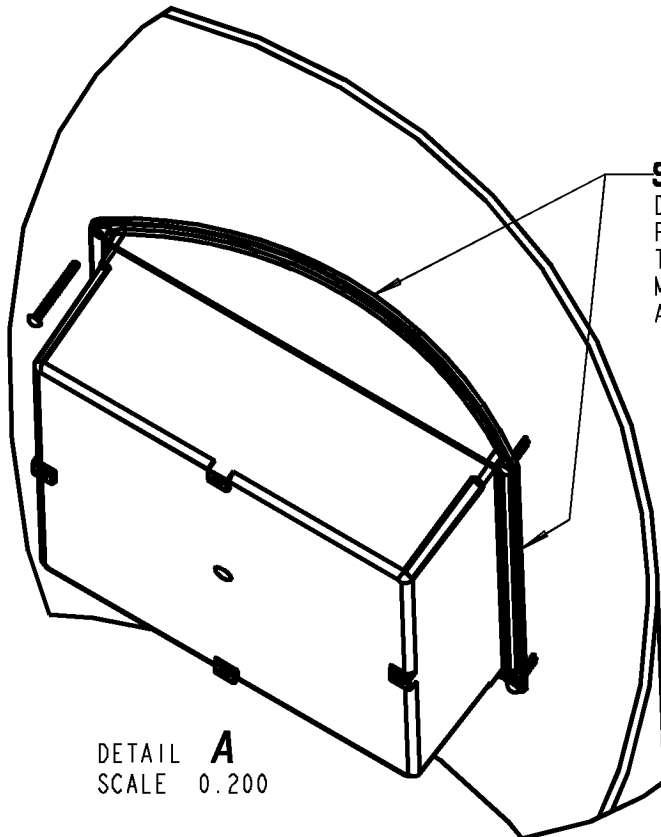
**STEP 1:**  
POSITION CURVED JUNCTION BOX ASSEMBLY UP  
AGAINST THE INTERIOR WALL OF THE SONO TUBE



**STEP 2:**  
DRIVE (4) 2" LONG #8 SCREWS THROUGH THE HOLES LOCATED IN THE CORNERS OF THE COVER TO SECURE ASSEMBLY TO THE TUBE WALL



**STEP 3:**  
DUCT TAPE THE ENTIRE PERIMETER OF THE COVER TO THE SONO TUBE WALL MAKING SURE TO SEAL ANY AND ALL GAPS



**STEP 4:**  
ONCE THE CONCRETE POUR IS SET, THE SONO TUBE, DUCT TAPE AND (4) SCREWS CAN BE DISCARDED

DETAIL A  
SCALE 0.200

P/N E1212C24

## GENERAL NOTES

1. ALL DIMENSIONS ARE FOR REFERENCE ONLY.
2. DIMENSIONS IN BRACKETS [ ] ARE IN METRIC UNITS.

## REVISIONS

\*\*\* SEE ERN ( \*\*\*\* ) FOR APPROVAL SIGNATURES & RELEASE DATE.  
PROJECT NO: \*\*\*\*

**Thomas & Betts**  
www.tnb.com

DESCRIPTION: **INSTALLATION INSTRUCTIONS**  
**24" J-BOX COVER IN 30"/36" SONO TUBE**

ORIGINAL PROJECT NO / ( ERN NO )  
/ ( )

SHEET NO:  
1 OF 2

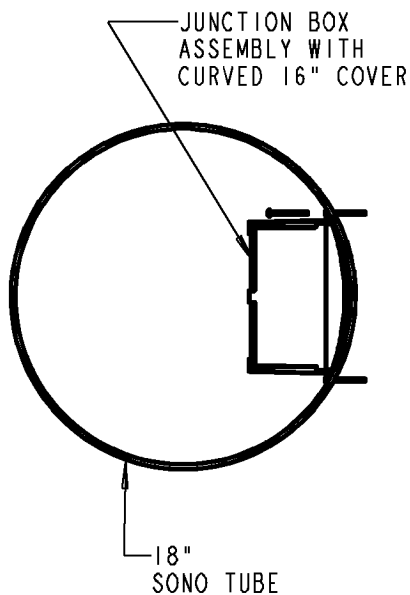
REV. NO:  
B

DRAWING NO:  
WSD-AC04684

# Carlton

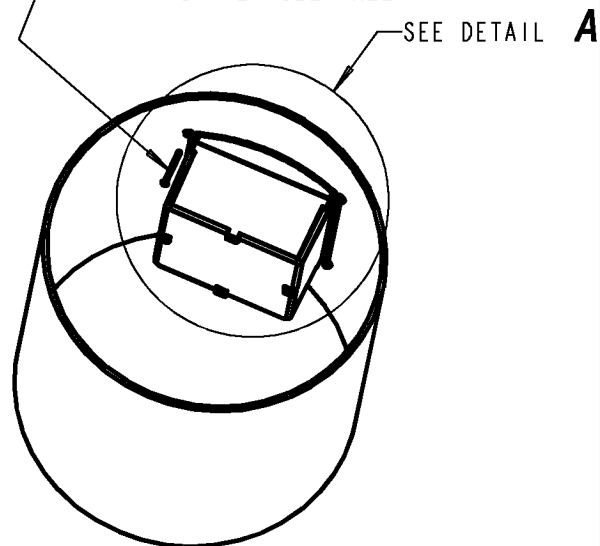
## STEP 1:

POSITION CURVED JUNCTION BOX ASSEMBLY UP AGAINST THE INTERIOR WALL OF THE SONO TUBE



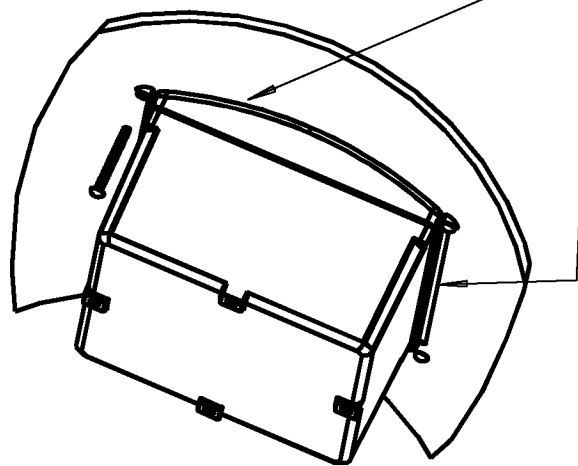
## STEP 2:

DRIVE (4) 2" LONG #8 SCREWS THROUGH THE HOLES LOCATED IN THE CORNERS OF THE COVER TO SECURE ASSEMBLY TO THE TUBE WALL



## STEP 3:

DUCT TAPE THE ENTIRE PERIMETER OF THE COVER TO THE SONO TUBE WALL MAKING SURE TO SEAL ANY AND ALL GAPS



## STEP 4:

ONCE THE CONCRETE POUR IS SET, THE SONO TUBE, DUCT TAPE AND (4) SCREWS CAN BE DISCARDED

DETAIL **A**  
SCALE 0.200

P/N E88C24

**Thomas & Betts**  
www.tnb.com

DESCRIPTION:

**INSTALLATION INSTRUCTIONS**  
**24" J-BOX COVER IN 18" SONO TUBE**

SHEET NO:

2 OF 2

REV. NO:

B

DRAWING NO:

**WSD-AC04684**