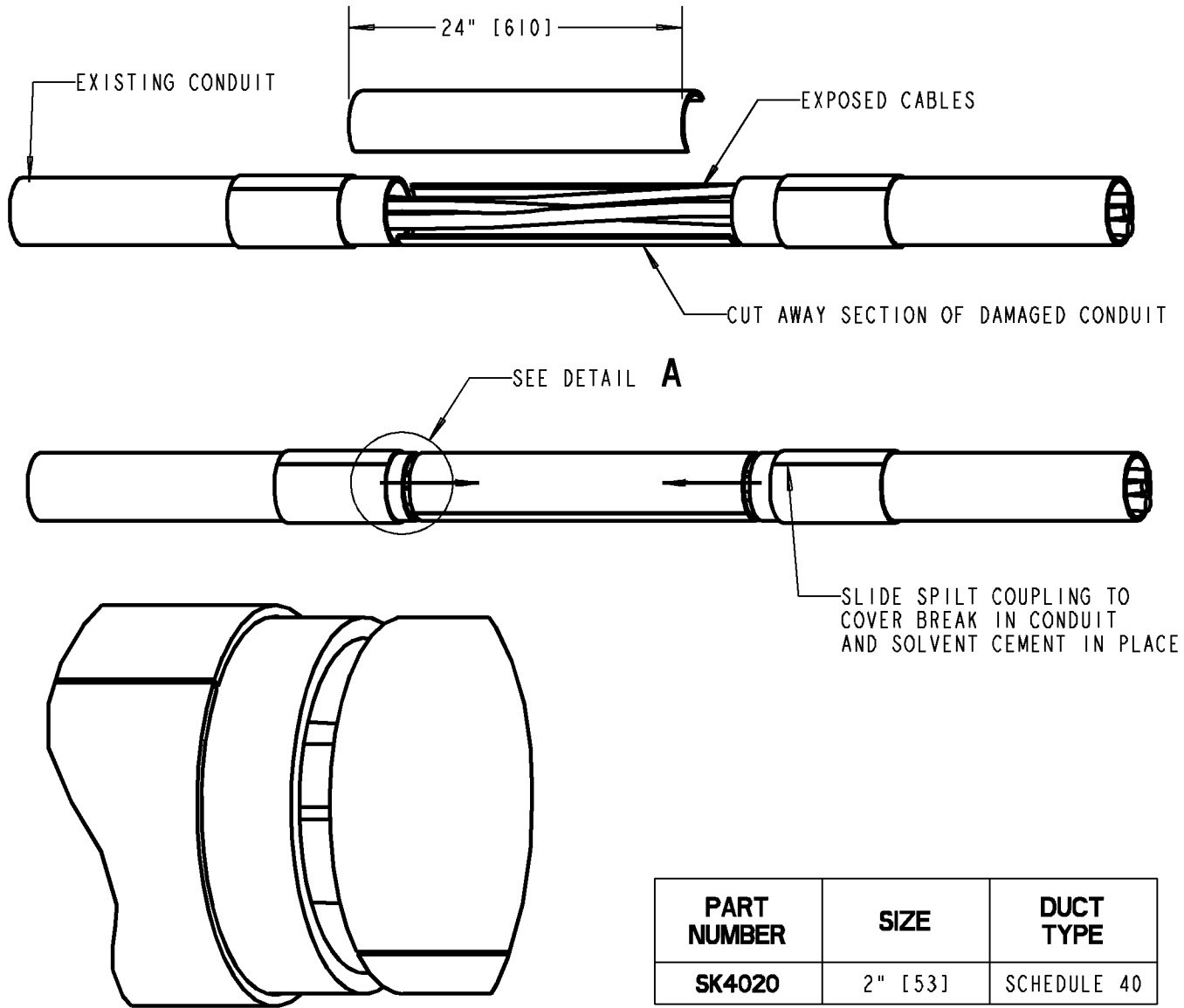



# Carlton®



PART NUMBER	SIZE	DUCT TYPE
SK4020	2" [53]	SCHEDULE 40

DETAIL A  
SCALE 0.500

GENERAL NOTES	
1.	ALL DIMENSIONS ARE FOR REFERENCE ONLY.
2.	DIMENSIONS IN BRACKETS [ ] ARE IN METRIC UNITS.
REVISIONS	
**	SEE ERN ( **** ) FOR APPROVAL SIGNATURES & RELEASE DATE. PROJECT NO: ****

DESCRIPTION: <b>SPLIT DUCT KITS</b>		 <small>www.tnb.com</small>		
				ORIGINAL PROJECT NO / ( ERN NO )
/ ( )		1 OF 1	A	WSD-AC04690