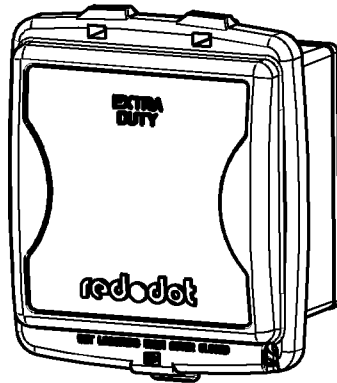




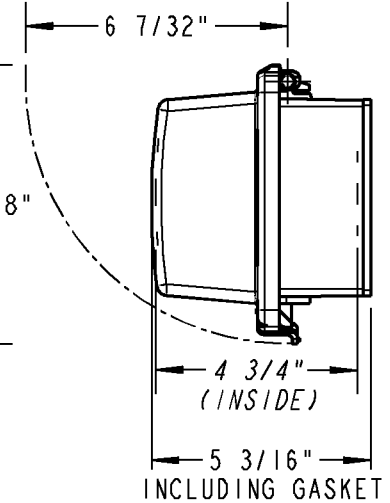
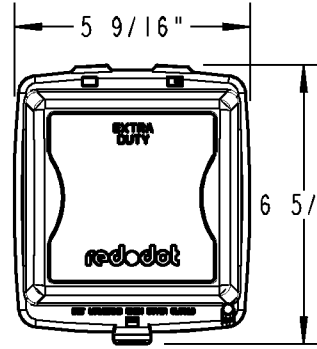
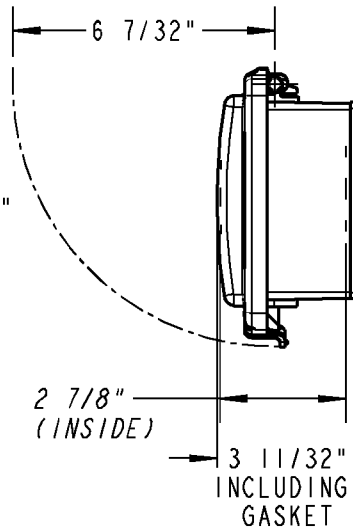
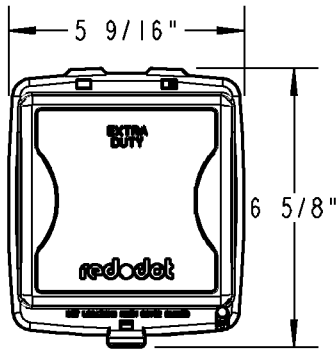
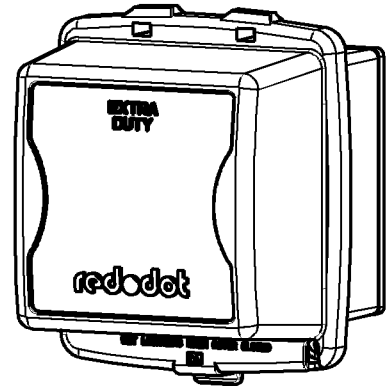
Red-Dot



2CKPM
2CKPM-G
2CKPM-W
2CKPM-BR
2CKPM-BULK
2CKPM-BR-BULK
 2-GANG MEDIUM
 DEPTH COVER



2CKPL
 2-GANG LONG
 DEPTH COVER



NOTES:

1. COMPLIES WITH NEC SECTION 406.9 (B) (1) AND 590.4 (D) (2) FOR "EXTRA DUTY" OUTLET BOX HOODS -- NOW REQUIRED FOR ANY INSTALLATION OTHER THAN ONE- AND TWO-FAMILY DWELLINGS.
2. UNIVERSAL: ACCEPTS GFCI, DUPLEX, SWITCH AND UP TO 1-3/8" ROUND DEVICES.
3. 2CKPM (MEDIUM DEPTH COVER) CAN BE USED FOR ALL STANDARD ELECTRICAL CORDS AND PLUGS.
4. 2CKPL (LONG DEPTH COVER) CAN BE USED WHEN HEAVY DUTY ELECTRICAL CORDS OR EXTRA LARGE PLUGS ARE USED.
5. STAINLESS STEEL HINGE PIN FOR EXTRA DURABILITY.
6. KEYHOLE MOUNTING FOR FAST INSTALLATION.
7. PRE-ADHERED GASKET.
8. WASP GUARD AT CORD EXIT TO KEEP OUT UN-WANTED PESTS.
9. MOUNTS VERTICALLY.
10. LOCKABLE
11. REQUIRED BY THE NATIONAL ELECTRIC CODE FOR WET LOCATIONS.
12. INCLUDES DEVICE ADAPTER PLATES AND MOUNTING SCREWS (NOT SHOWN IN ILLUSTRATION).
13. COVERS OPEN TO AN ANGLE OF 120°.
14. AVAILABLE COLORS: GRAY, WHITE, BRONZE. A CAT. NO. WITHOUT A COLOR LETTER AFTER - (LIKE 2CKPM) HAS GRAY BASE AND CLEAR HOOD.

GENERAL NOTES

1. ALL DIMENSIONS ARE FOR REFERENCE ONLY.
2. DIMENSIONS IN BRACKETS [] ARE IN METRIC UNITS.

REVISIONS

- | | |
|---|---|
| 1 | SEE ERN (2014643) FOR APPROVAL SIGNATURES & RELEASE DATE.
PROJECT NO: (002D000395) |
|---|---|

Thomas & Betts
 www.tnb.com

DESCRIPTION: **2CKPM AND 2CKPL**
TWO-GANG UNIVERSAL WHILE-IN-USE EXTRA DUTY COVERS

ORIGINAL PROJECT NO / (ERN NO)	SHEET NO:	REV. NO:	DRAWING NO:
002D000395 / (2014313)	1 OF 1	1	WSD-001102