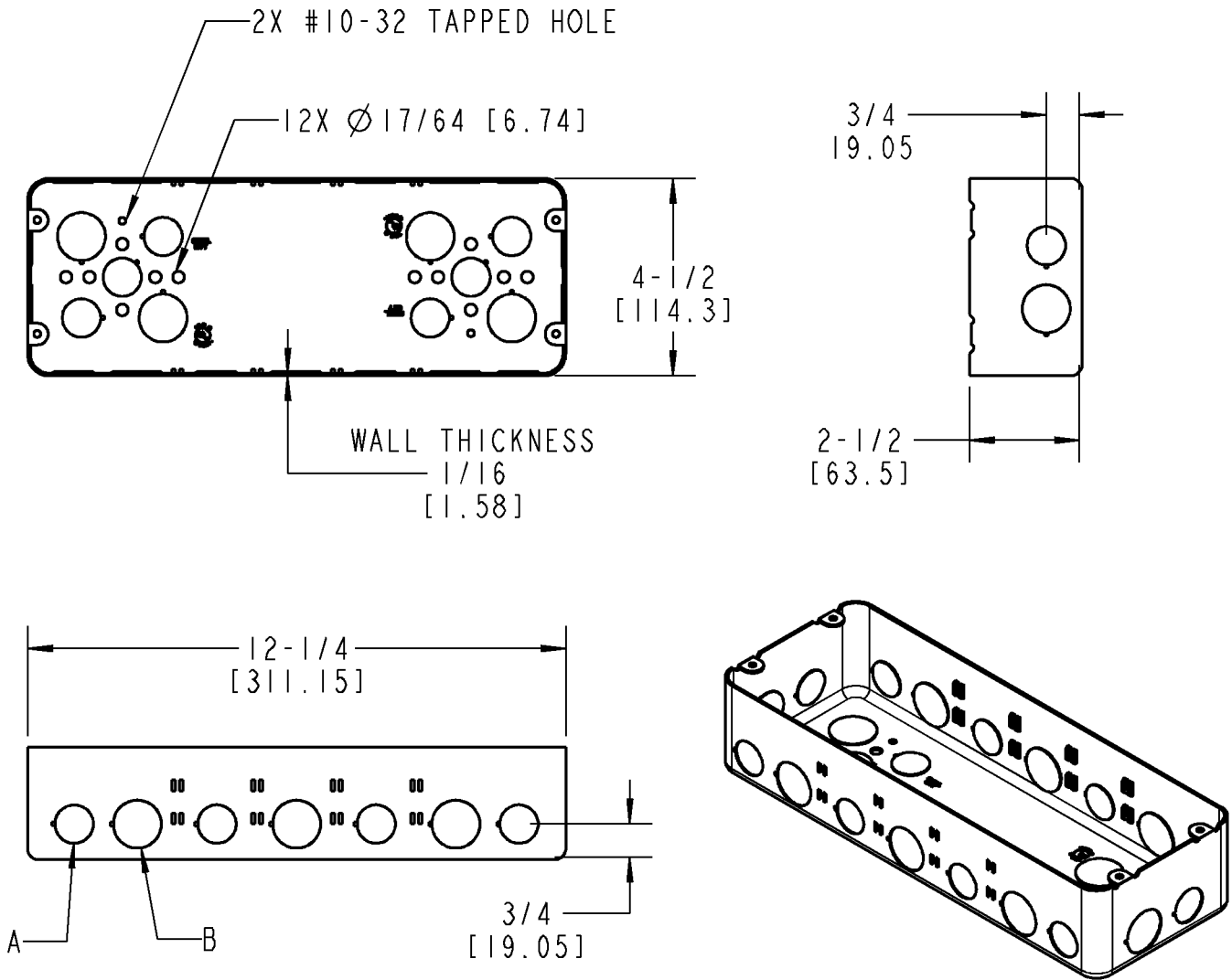




Thomas & Betts

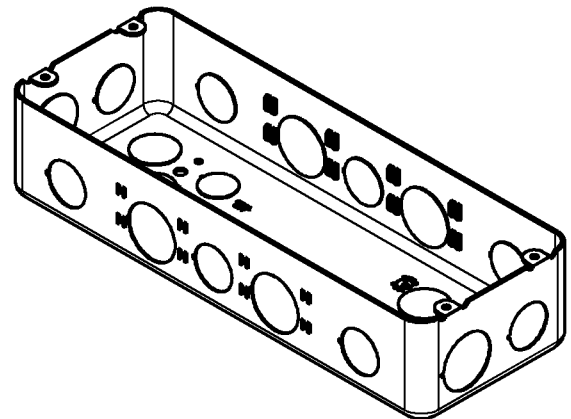
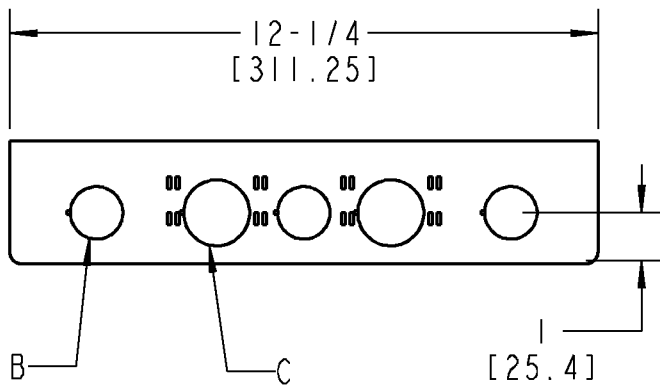
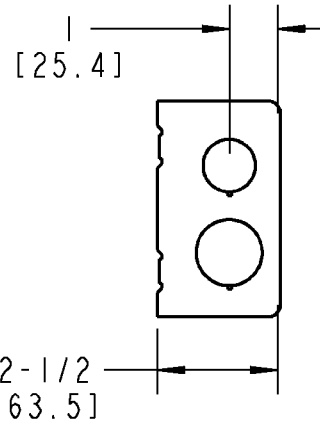
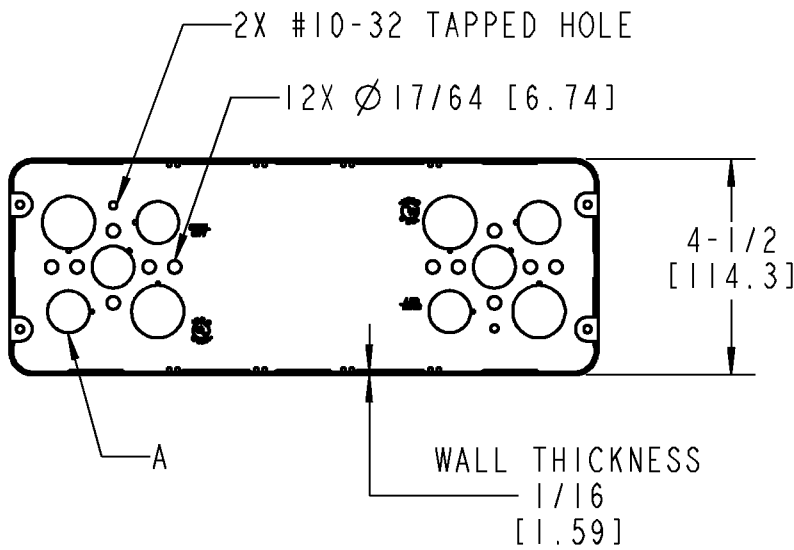


CAT. NO. H5BD 1/2 3/4

KNOCKOUTS					
CALLOUT	SIZE	SIDES	ENDS	BOTTOM	TOTAL
A	1/2	8	2	6	16
B	3/4	6	2	4	12

132.0 CU. IN.
[2163.1 CU. CM]

GENERAL NOTES		 A Member of the ABB Group			
1. ALL DIMENSIONS ARE FOR REFERENCE ONLY. 2. DIMENSIONS IN BRACKETS [] ARE IN METRIC UNITS.					
REVISIONS		DESCRIPTION: H5BD 3/4 1, H5BD 1/2 3/4 GANG BOX			
0	SEE ERN (****) FOR APPROVAL SIGNATURES & RELEASE DATE. PROJECT NO: ****	ORIGINAL PROJECT NO / (ERN NO) NM400387 / (2015599)	SHEET NO: 1 OF 2	REV. NO: 0	DRAWING NO: WSD-001285



CAT. NO. H5BD 3/4 1

132.0 CU. IN.
[2163.1 CU. CM]

KNOCKOUTS					
CALLOUT	SIZE	SIDES	ENDS	BOTTOM	TOTAL
A	1/2	-	-	6	6
B	3/4	6	2	4	12
C	1	4	2	-	6

Thomas & Betts A Member of the ABB Group			
www.tnb.com			
DESCRIPTION: H5BD 3/4 1, H5BD 1/2 3/4 GANG BOX			
SHEET NO: 2 OF 2	REV. NO: 0	DRAWING NO: WSD-001285	