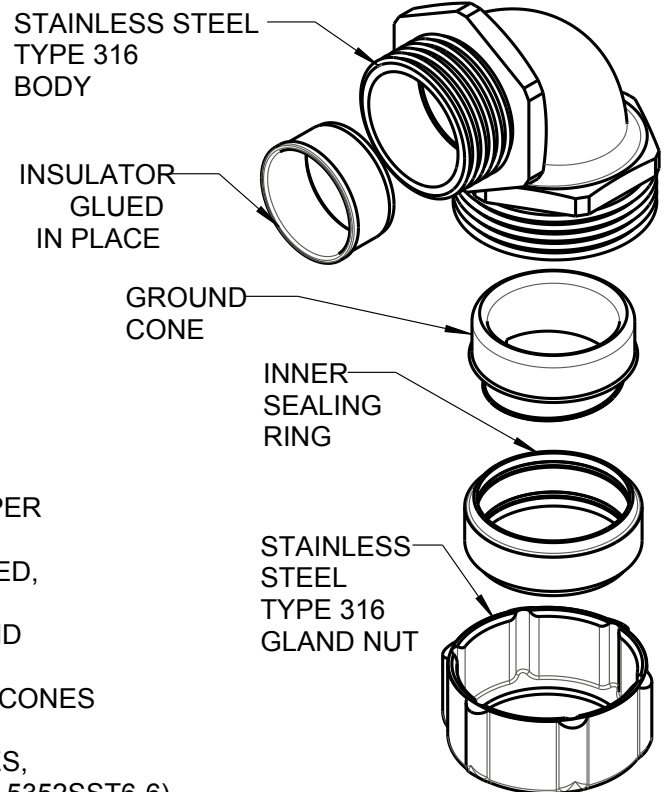
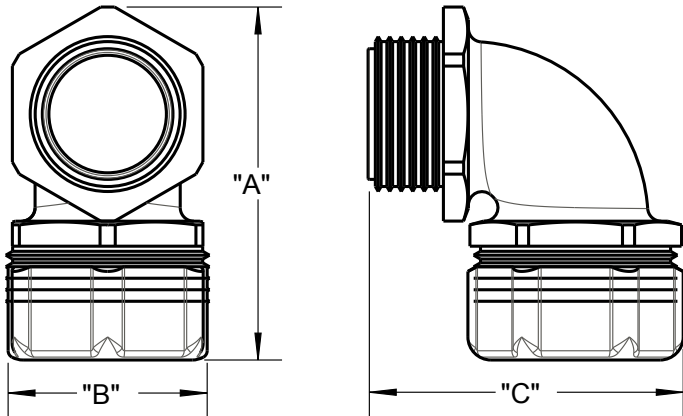




# T&B Fittings



### NOTES:

1. ALL FITTINGS ( BODY AND GLAND NUT) ARE MADE FROM STAINLESS STEEL TYPE 316.
2. FITTINGS ARE MANUFACTURED WITH NPT THREADS PER ANSI/ASME B1.20.1.
3. FITTINGS ARE UL LISTED LIQUIDTIGHT & CSA CERTIFIED, DUST TIGHT & WATERTIGHT.
4. FITTINGS ARE AVAILBLE WITH ZINC PLATED STEEL AND STAINLESS STEEL TYPE 316 GROUND CONES.
5. FITTINGS WITH STAINLESS STEEL TYPE 316 GROUND CONES ARE NOT UL LISTED OR CSA CERTIFIED.
5. TO ORDER FITTING WITH SS TYPE 316 GROUND CONES, ADD (-6) TO CATALOG NUMBERS IN TABLE BELOW (EX. 5352SST6-6).
6. ALL INSULATED FITTINGS HAVE 105° C RATING. TO ORDER FITTINGS WITH HIGH TEMPERATURE INSULATORS AND INNER SEALING RINGS RATED FOR 150° C, ADD (HT) TO CATALOG NUMBERS IN TABLE BELOW (EX. 5352SST6HT).
7. TO ORDER FITTINGS WITH SS TYPE 316 GROUND CONE AND HIGH TEMPERATURE INSULATORS & INNER SEALING RING, ADD (-6HT) TO CATALOG NUMBERS IN TABLE BELOW (EX. 5352SST6-6HT).
8. ALL DIMENSIONS ARE FOR REFERENCE ONLY.

CAT. No.	SIZE	DESCRIPTION	DIM "A"	DIM "B"	DIM "C"
5351SST6	3/8	90° LIQUID TIGHT INSULATED FITTING	2.14 ( 54.36)	1.14 ( 28.96)	1.87 ( 47.50)
5352SST6	1/2	90° LIQUID TIGHT INSULATED FITTING	2.35 ( 59.69)	1.33 ( 33.78)	2.25 ( 57.15)
5353SST6	3/4	90° LIQUID TIGHT INSULATED FITTING	2.60 ( 66.04)	1.64 ( 41.66)	2.58 ( 65.53)
5354SST6	1	90° LIQUID TIGHT INSULATED FITTING	3.32 ( 84.33)	1.87 ( 47.50)	2.95 ( 74.93)
5355SST6	1 1/4	90° LIQUID TIGHT INSULATED FITTING	4.06 (103.12)	2.25 ( 57.15)	3.48 ( 88.39)
5356SST6	1 1/2	90° LIQUID TIGHT INSULATED FITTING	4.58 ( 116.33)	2.56 ( 65.02)	3.88 ( 98.55)
5357SST6	2.0	90° LIQUID TIGHT INSULATED FITTING	5.51 ( 139.95)	3.05 ( 77.47)	4.75 ( 120.65)

### GENERAL NOTES

1. ALL DIMENSIONS ARE FOR REFERENCE ONLY.
2. DIMENSIONS IN BRACKETS [ ] ARE IN METRIC UNITS.

www.tnb.com

## Thomas & Betts

A Member of the ABB Group

### REVISIONS

- |   |   |
|---|---|
| 1 | SEE ERN ( 2017186 ) FOR APPROVAL SIGNATURES & RELEASE DATE.<br>PROJECT NO: 012D000129 |
|---|---|

## DESCRIPTION: SALES DRAWINGS FOR 90 DEGREE INSULATED STAINLESS STEEL LIQUID-TIGHT FITTINGS

ORIGINAL PROJECT NO / ( ERN NO )

012D000129 / ( 2017066 )

SHEET NO:

1 OF 1

REV. NO:

1

DRAWING NO:

WSD-001575