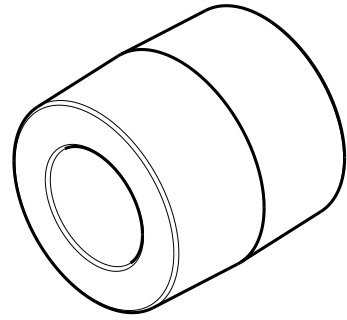
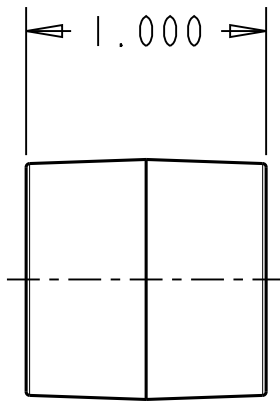
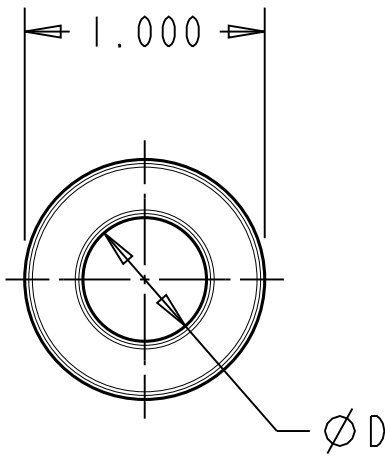


Superstrut




CATALOG NO.	"D" IN [mm]	BOLT SIZE
SC-WO-1/2	.515-.525 [13.1-13.3]	1/2 INCH
SC-WO-3/8	.390-.400 [9.9-10.2]	3/8 INCH

FEATURES:

- MATERIAL: NYLON 6,6
- COLOR: IVORY
- FDA COMPLIANT FOR FOOD CONTACT APPLICATIONS
- OPERATING TEMPERATURE: -60°C [-76°F] - 86°C [185°F]
- MAXIMUM BOLT TORQUE: 50 FT-LBS (FOR 1/2" BOLT)
19 FT-LBS (FOR 3/8" BOLT)



**BACTERIA GROWTH PROHIBITION
ON WALL OFFSET SURFACE**

GENERAL NOTES		 A Member of the ABB Group			
1. ALL DIMENSIONS ARE FOR REFERENCE ONLY. 2. DIMENSIONS IN BRACKETS [] ARE IN METRIC UNITS.					
REVISIONS		DESCRIPTION: SUPERCLEAN(TM) WALL OFFSET BACTERIA GROWTH PROHIBITION ON SURFACE			
** SEE ERN (****) FOR APPROVAL SIGNATURES & RELEASE DATE. PROJECT NO: ****		ORIGINAL PROJECT NO / (ERN NO) 005D001102 / (2017949)	SHEET NO: 1 OF 1	REV. NO: 0	DRAWING NO: WSD-001744