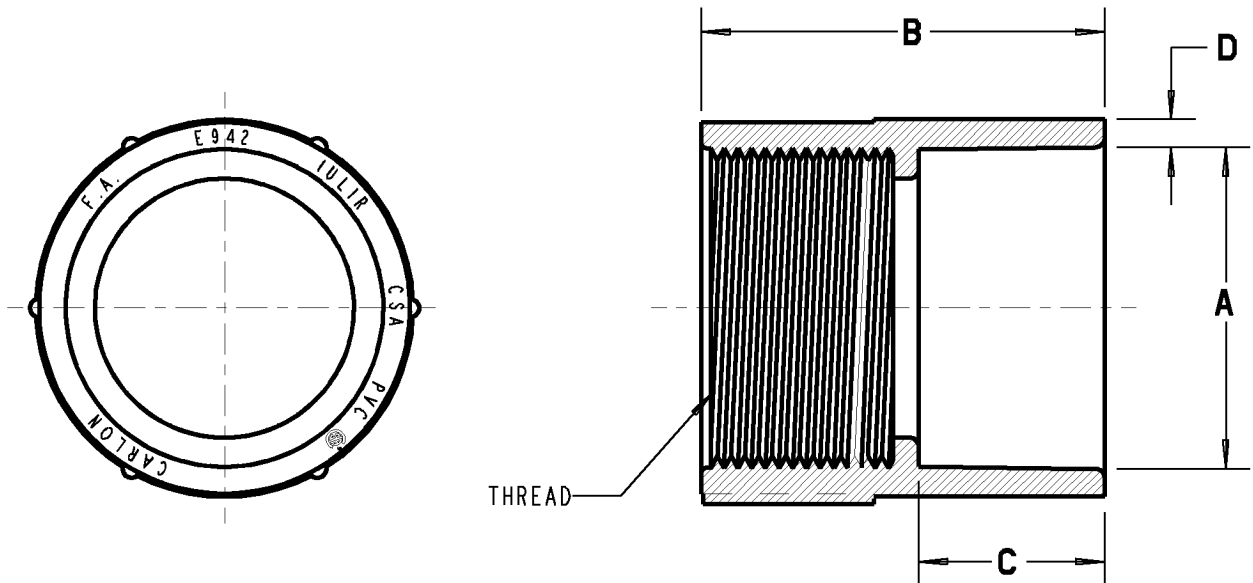


Carlton®



SIZE THREAD - NPSC	PART NO.	DIM. A	DIM. B	DIM. C	DIM. D
1/2"	E942D	.85 [21.6]	1.47 [37.3]	.68 [17.3]	.11 [2.8]
	E942DRCL				
	E942DR-CTN				
	E942DRL				
3/4"	E942E	1.06 [26.9]	1.61 [40.9]	.76 [19.3]	.12 [3.1]
	E942ERCL				
	E942ER-CTN				
	E942ERL				
1"	E942F	1.33 [33.8]	1.91 [48.5]	.91 [23.1]	.13 [3.3]
	E942FRCL				
	E942FR-CTN				
	E942FRL				
1-1/4"	E942G	1.68 [42.7]	2.10 [53.3]	.97 [24.6]	.15 [3.8]
	E942GR				
	E942GRCL				
	E942GRL				

GENERAL NOTES

- ALL DIMENSIONS ARE FOR REFERENCE ONLY.
- DIMENSIONS IN BRACKETS [] ARE IN METRIC UNITS.

REVISIONS

*** SEE ERN (****) FOR APPROVAL SIGNATURES & RELEASE DATE.
PROJECT NO: ****

Thomas & Betts
www.tnb.com

DESCRIPTION:

**FEMALE ADAPTERS
SCHEDULE 40**

ORIGINAL PROJECT NO / (ERN NO)

/ ()

SHEET NO:

1 OF 2

REV. NO:

A

DRAWING NO:

WSD-AC03923

Carlton®

SIZE THREAD - NPSC	PART NO.	DIM. A	DIM. B	DIM. C	DIM. D
1-1/2"	E942H E942HR E942HRCL E942HRL	1.92 [48.7]	2.22 [56.4]	1.09 [27.7]	.15 [3.8]
2"	E942J E942JR E942JRCL E942JRL	2.39 [60.7]	2.28 [57.9]	1.15 [29.2]	.16 [4.1]
2-1/2"	E942K E942K-CAR E942KL	2.89 [73.4]	2.93 [60.7]	1.71 [43.4]	.21 [5.3]
3"	E942L E942L-CAR E942LL	3.52 [89.4]	3.05 [77.5]	1.83 [46.5]	.23 [5.8]
3-1/2"	E942M	4.02 [102.1]	3.25 [82.6]	2.03 [51.6]	.25 [6.4]
4"	E942N E942N-CAR	4.52 [114.8]	3.09 [78.5]	1.78 [45.2]	.26 [6.6]
5"	E942P	5.59 [142]	3.09 [78.5]	1.78 [45.2]	.28 [7.1]
6"	E942R	6.66 [169.2]	3.38 [85.9]	2.14 [54.4]	.31 [7.9]

Thomas & Betts
www.tnb.com

DESCRIPTION:

**FEMALE ADAPTERS
SCHEDULE 40**

SHEET NO:
2 OF 2

REV. NO:
A

DRAWING NO:
WSD-AC03923