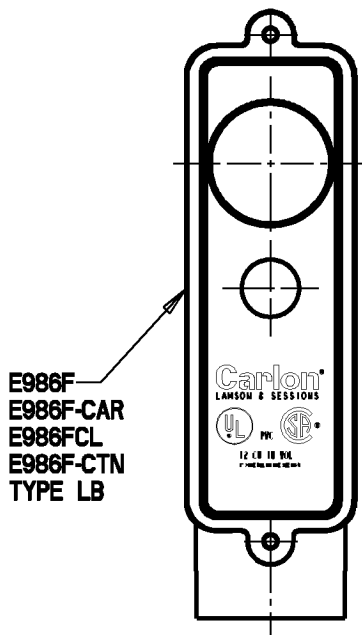
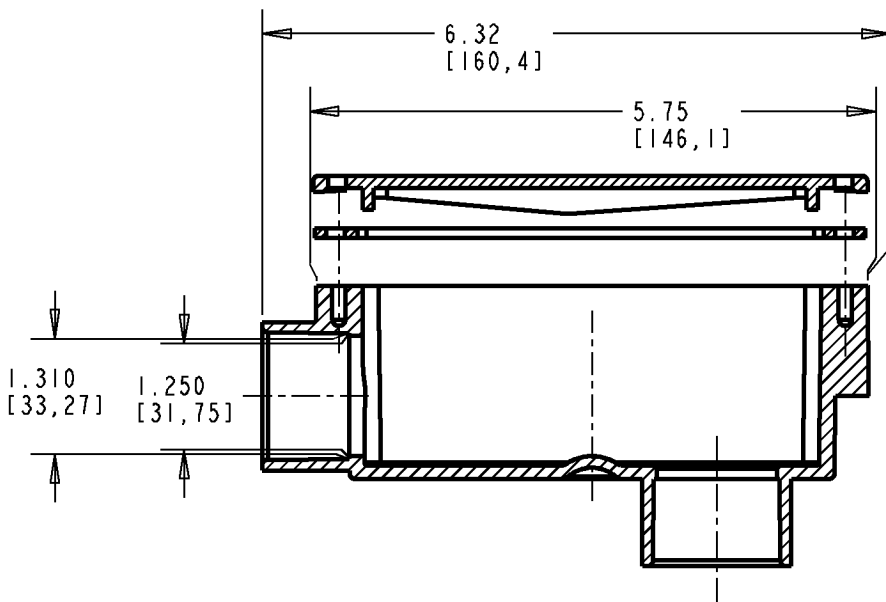
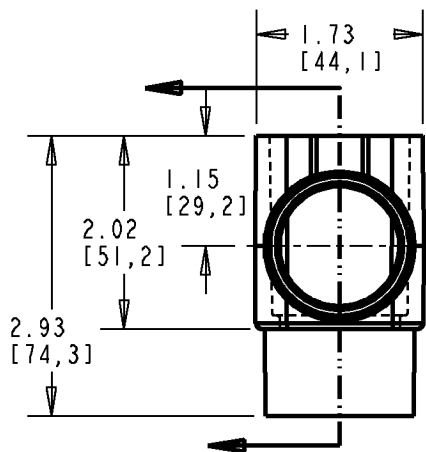


Carlton®



NOTES:

1. FITTING ASSEMBLIES INCLUDE:
 - (1) FITTING BODY
 - (1) GASKET
 - (1) COVER
 - (2) SCREWS
2. PORT DIMENSIONS ARE TYPICAL REGARDLESS OF POSITION



GENERAL NOTES

1. ALL DIMENSIONS ARE FOR REFERENCE ONLY.
2. DIMENSIONS IN BRACKETS [] ARE IN METRIC UNITS.

REVISIONS

*** SEE ERN (****) FOR APPROVAL SIGNATURES & RELEASE DATE. PROJECT NO: ****

Thomas & Betts
www.tnb.com

DESCRIPTION:

ACCESS FITTINGS - 1"

ORIGINAL PROJECT NO / (ERN NO)

/ ()

SHEET NO:

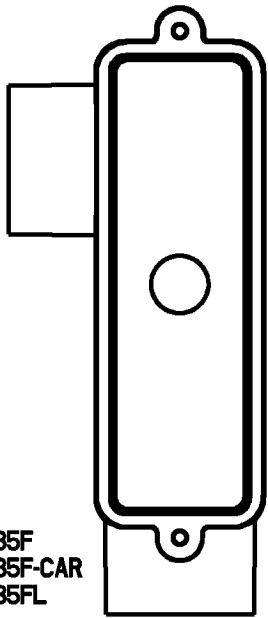
1 OF 2

REV. NO:

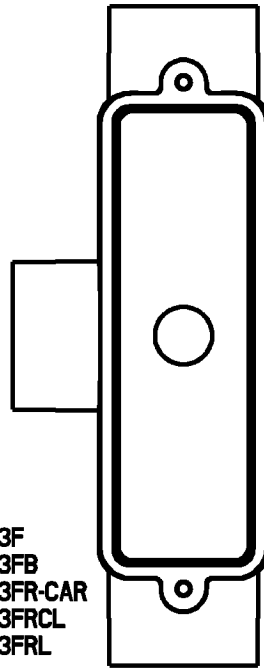
A

DRAWING NO:

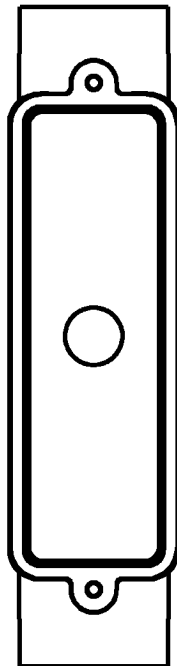
WSD-AC04179



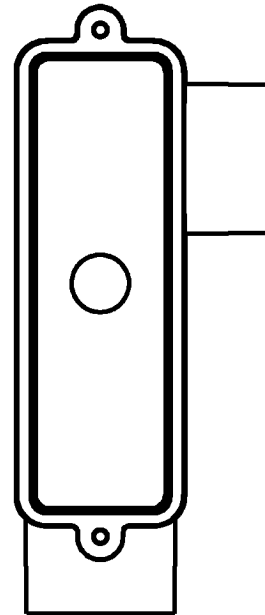
E985F
E985F-CAR
E985FL



E983F
E983FB
E983FR-CAR
E983FRCL
E983FRL



E987FB
E987F-CAR



E984F-CAR
E984FL

Thomas & Betts

www.tnb.com

DESCRIPTION:

ACCESS FITTINGS - 1"

SHEET NO:

2 OF 2

REV. NO:

A

DRAWING NO:

WSD-AC04179