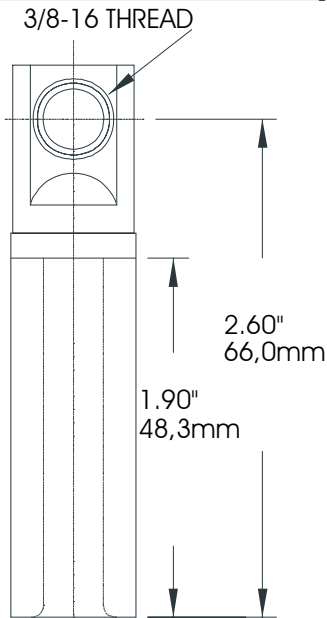


**PRODUCT SPECIFICATION SHEET**
**I T C**
**200A Elbow Crimp Connector - Cu Top Bi-Metal**
**02500XXX**


**02500XXX** bi-metallic connectors consist of a copper top section and a aluminum crimp barrel. Units are designed for use with **165/166LR**, **273/274LR**, **375/376LR** and **156LR** elbows on aluminum or copper conductors.

**Ordering Instruction:**

Using the table below, select a compression lug part number based on conductor size.

AWG or kcmil		mm <sup>2</sup> Compact Only	Lug Number
Stranded/ Compr.	Solid/ Compact		
--	4	16	02500190
4	3	22	02500200
3	2	30	02500210
2	1	35	02500220
1	1/0	50	02500230
1/0	2/0	70	02500240
2/0	3/0	--	02500250
3/0	4/0	95	02500260
4/0	250	125	02500270

The 0270XXX includes the following:

1 – connector                      02500XXX  
 1 – Crimp Chart                CC-0020