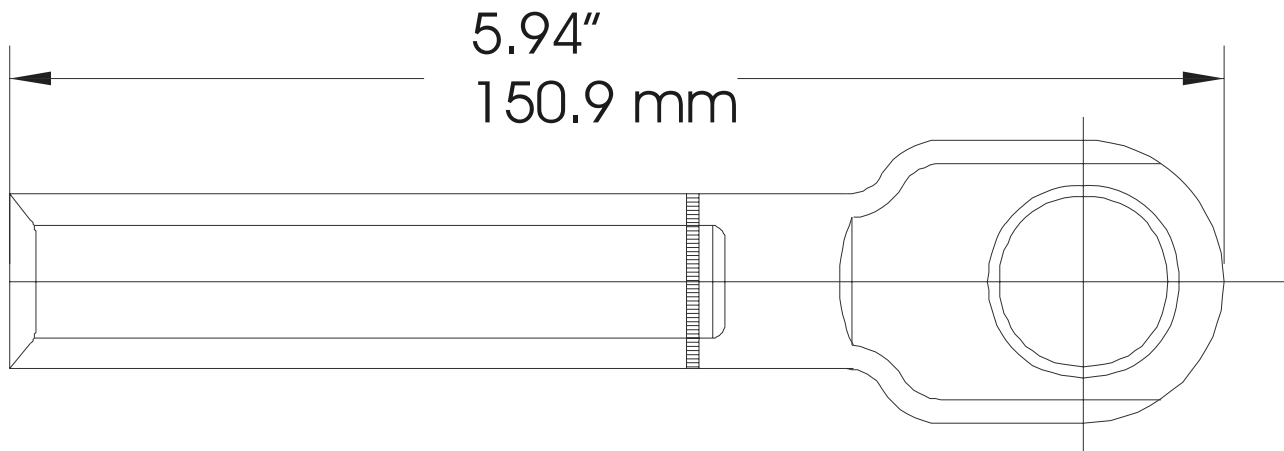


PRODUCT SPECIFICATION SHEET
I T C
600A Crimp Connector - Aluminum
03700XXX

Ordering Instruction:
Step 1 (X)

Choose the proper compression lug code according to the conductor size. Insert code into the catalog number.

Step 1 (X)

03700
Application:

The **03700XXX** aluminum crimp barrel connector is designed to be used with Elastimold 15/25/35kV class 600 Amp deadbreak elbow & splice products. Connectors may be used with both copper and aluminum conductors.

The 03700XXX Connector kit contains the following:

- 1 – Connector 03700XXX
- 1 – Crimp chart CC-0050-03700CC 05/99

AWG or kcmil		mm ²	Catalog
Stranded/ Compr.	Solid/ Compact	Compact Only	Number
3	2	--	03700210
2	1	35	03700220
1	1/0	50	03700230
1/0	2/0	--	03700240
2/0	3/0	70	03700250
3/0	4/0	95	03700260
4/0	250	125	03700270
250	300	--	03700280
300	350	150	03700290
350	400	185	03700300
400	450	240	03700310
450	500/550	--	03700320
500	600	250/300	03700330
600	700	--	03700350
650	750	400	03700360
700/750	900	--	03700380
800	--	--	03700390
900	1000	500	03700400
1000	--	--	03700410
--	1250	630	03700420
1250	--	--	03700440
1300	--	--	03700450