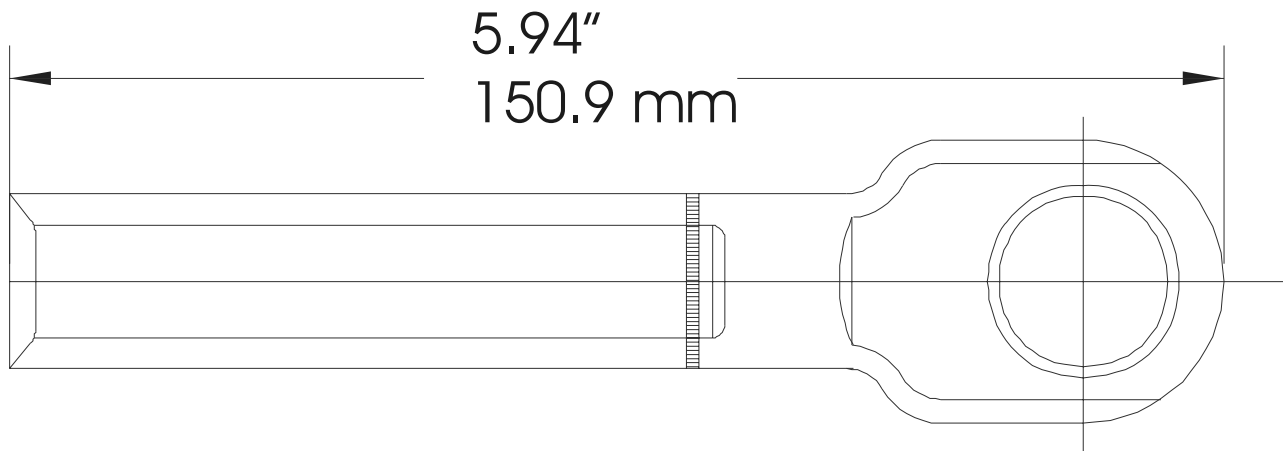


**PRODUCT SPECIFICATION SHEET**
**I T C**
**900A Crimp Connector - Copper**
**03702XXX**

**Ordering Instruction:**
**Step 1 (X)**

Choose the proper compression lug code according to the conductor size. Insert code into the catalog number.

Step 1 (X)

**03702** 
**Application:**

The **03702XXX** aluminum crimp barrel connector is designed to be used with Elastimold 15/25/35kV class 600 Amp deadbreak elbow & splice products thru 900 Amp. Connectors may be used with both copper conductors only.

**The 03702XXX Connector kit contains the following:**

- 1 – Connector 03702XXX
- 1 – Crimp chart IS-0046-03702CC 01/02

AWG or kcmil		mm <sup>2</sup>	Catalog
Stranded/ Compr.	Solid/ Compact	Compact Only	Number
3	2	--	03702210
2	1	35	03702220
1	1/0	50	03702230
1/0	2/0	--	03702240
2/0	3/0	70	03702250
3/0	4/0	95	03702260
4/0	250	125	03702270
250	300	--	03702280
300	350	150	03702290
350	400	185	03702300
400	450	240	03702310
450	500/550	--	03702320
500	600	250/300	03702330
600	700	--	03702350
650	750	400	03702360
700/750	900	--	03702380
800	--	--	03702390
900	1000	500	03702400
1000	--	--	03702410
--	1250	630	03702420
1250	--	--	03702440
1300	--	--	03702450