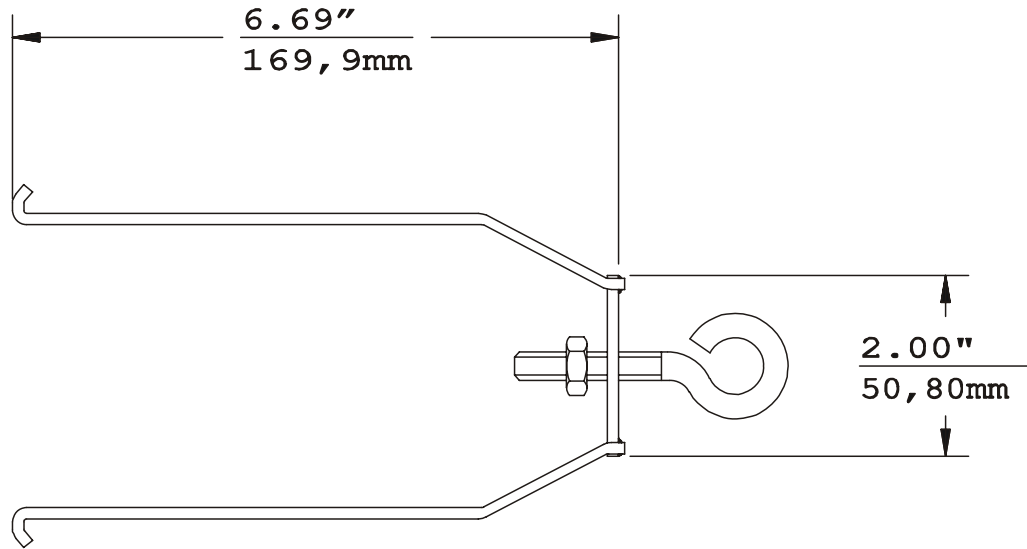




PRODUCT SPECIFICATION SHEET		I T C
Dead-break Elbow Hold Down Bail		150BA



The **150BA** hold down bail is designed to be used with 156LR deadbreak elbow. It is included with 156LR kit as standard. Refer to IS-0092 for installation instructions.