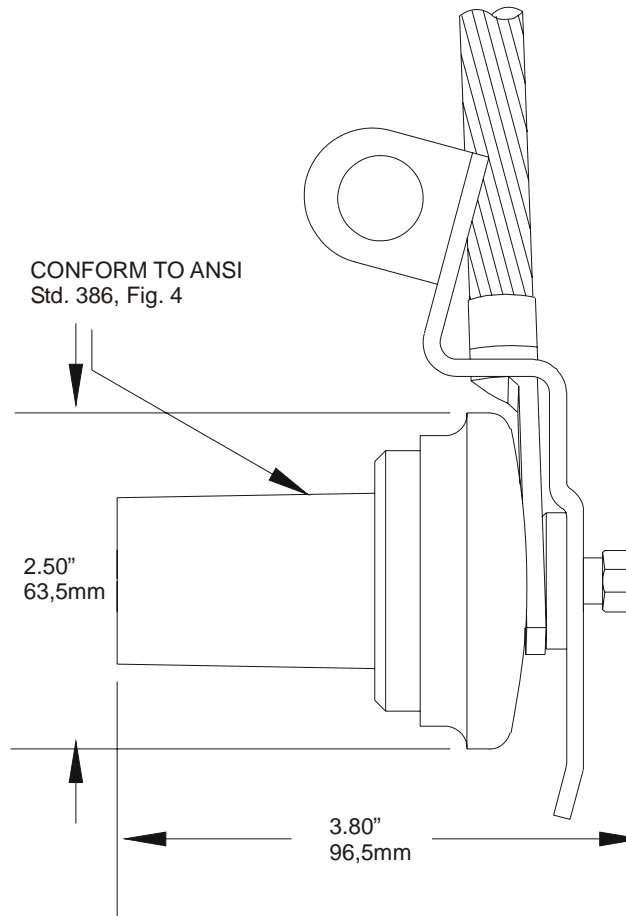


PRODUCT SPECIFICATION SHEET
I T C
15/25kV Dead-break Grounding Plug
151GP

Application:

The Elastimold 151GP grounding plug is a fully shielded, fully submersible, separable insulating plug designed for de-energized operation. It is suitable for use on 15 and 25 kV class systems and is used to ground Elastimold 156LR elbow connectors.

Ordering Instructions:

To order, specify number **151GP** Dead-break Grounding Plug.

The 151GP Dead-break Grounding Plug includes the following:

1 – Grounding Plug	151GP
1 – Shipping Cap	180 PPC
1 – Lubricant	82-08
1 – Installation instruction	IS-0003

Ratings:

per ANSI/IEEE Standard 386
 25kV Voltage Class
 15.2kV Max Phase-to-Ground - Operating Voltage
 26.3kV Max Phase-to-Phase
 125kV BIL - Impulse Withstand (1.2 x 50 microsecond wave)
 40kV AC - One minute Withstand
 78kV DC - 15 Minutes Withstand
 19kV AC - Corona Extinction @ 3 pC sensitivity
 200 Amp - Continuous current
 10kA Sym - 10 Cycles momentary current