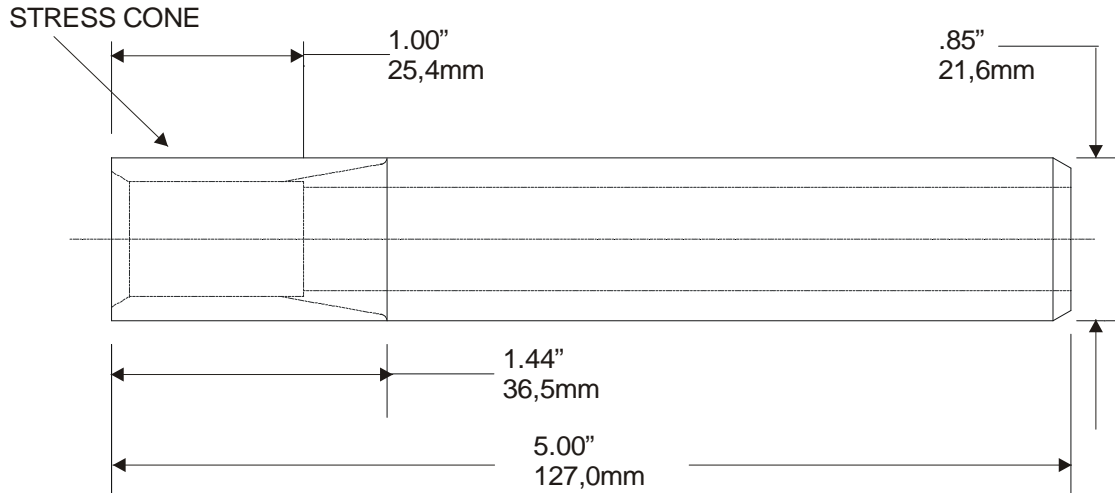


**PRODUCT SPECIFICATION SHEET**
**I T C**
**200A Elbow Cable Size Adapter**
**160CA-W**


The Elastimold **160CA** Elbow Cable Size Adapter is specially designed for small cable with insulation OD between .495" to .625". The 160CA can only be used in a 165/166LR "C" size housing.

**Ordering Instruction:**
**Step 1 (W)**

Determine the insulation diameter of the cable. Select the insulation letter code that best straddles the insulation diameter. Insert code into catalog number.

Step 1 (W)  
**160CA** –

| Cable Insulation Dia. Range |             | Adapter Code |
|-----------------------------|-------------|--------------|
| inches                      | mm          |              |
| .495 - .585                 | 12,6 - 14,9 | EB           |
| .525 - .635                 | 13,3 - 16,1 | EF           |
| .575 - .685                 | 14,6 - 17,4 | FA           |

**The Elbow Cable size Adapter kit contains the following:**

|                              |                        |
|------------------------------|------------------------|
| 1 – Cable size adapter       | 160CA-W                |
| 1 – Lubricant                | 82-08                  |
| 1 – Installation Instruction | IS EB, EF, FA (A) 3/94 |

**Example:**

The ordering number for an Elbow Cable Size Adapter for a #4 stranded, 175 mil wall cable with an insulation diameter of .618" (15.7 mm) is 160CA-FA