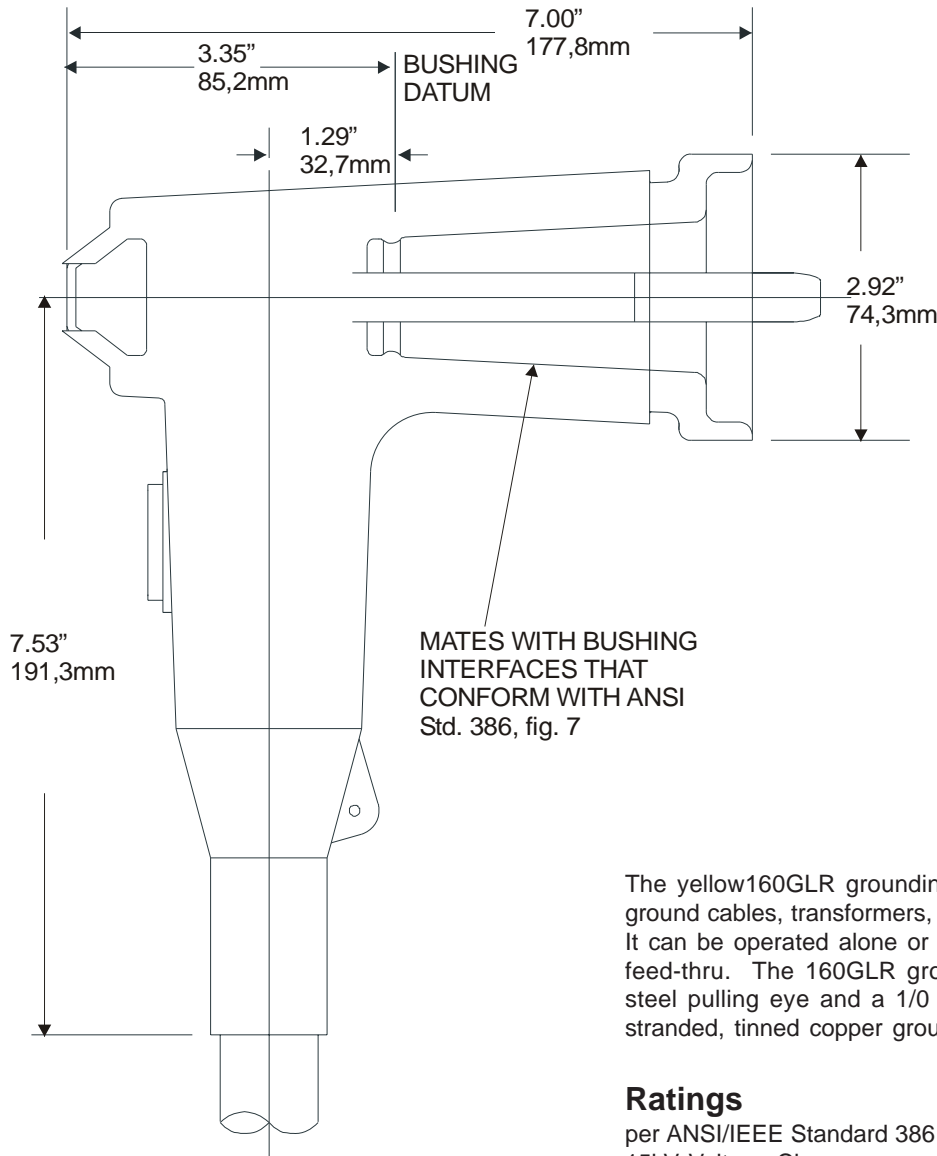


**PRODUCT SPECIFICATION SHEET**
**I T C**
**15kV 200A Grounding Elbow**
**160GLR**


The yellow 160GLR grounding elbow is designed to visibly ground cables, transformers, switchgear or other equipment. It can be operated alone or in combination with the 164FT feed-thru. The 160GLR grounding elbow has a stainless steel pulling eye and a 1/0 AWG, 6 ft, 600 volt insulated, stranded, tinned copper ground lead.

### Ratings

per ANSI/IEEE Standard 386  
 15kV Voltage Class  
 10kA Sym - 10 Cycle Momentary & Fault Close  
 200Amp - Continuous

### Ordering Instructions:

To order, specify catalog number **160GLR** Grounding Elbow

### The 160GLR Grounding Plug includes the following:

1 – Grounding Elbow	160GLR
1 – Lubricant	82-08
1 – Protective Shipping Cap	160-164-1
1 – Operation instruction	IS-0269