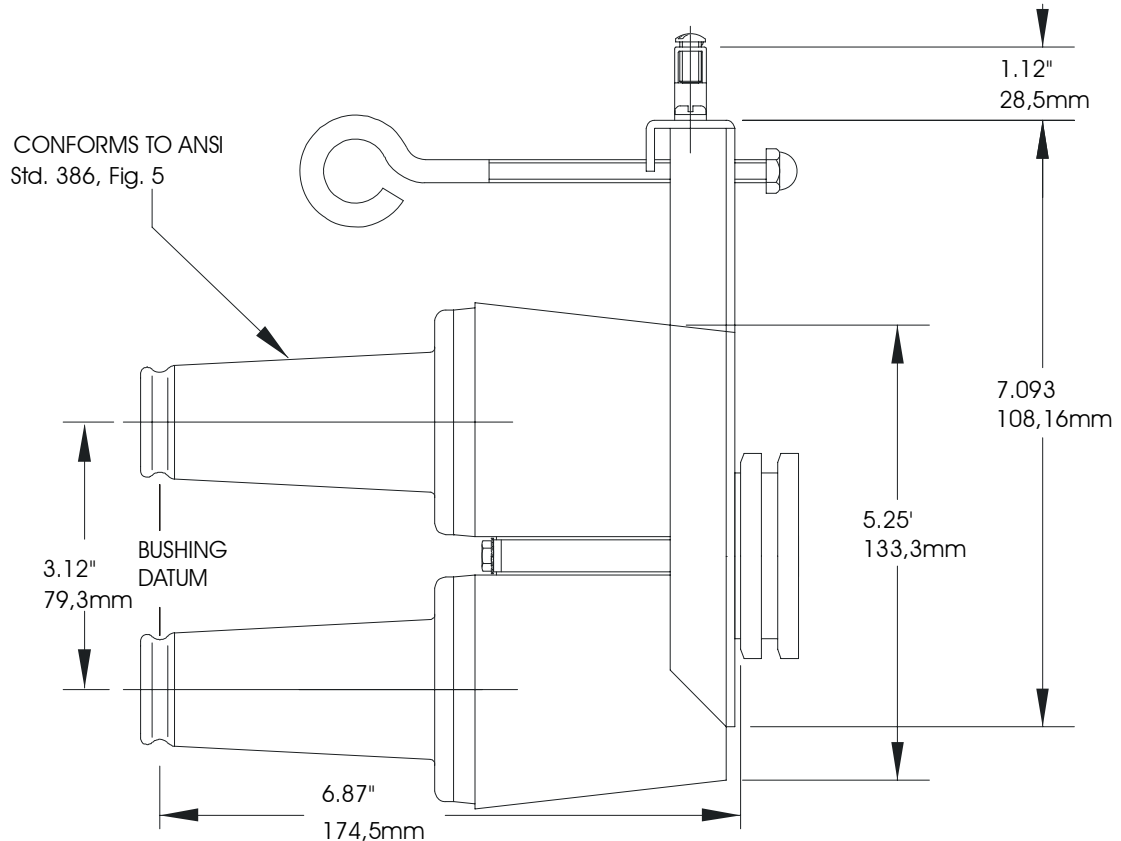


PRODUCT SPECIFICATION SHEET
I T C
15kV Loadbreak Vertical Feed-Thru
164FTV


The 164FTV vertical feed-thru is a space saving design for congested areas inside transformers or switchgear. The 164FTV is a fully shielded, fully submersible, separable insulated connector designed for energized operation. It is suitable for use on 15kV class loadbreak systems. When used in conjunction with 15kV class elbow connectors, the 164FTV provides the circuit with the loadbreak junction point. Testing and grounding of the circuit is accomplished when the 164FTV is used in conjunction with the 370TR and 160GLR. When used in conjunction with a 160DR the 164FTV can be used to isolate and "dead-end" the circuit. The 164FTV is designed to mate with the following Elastimold products:

- 165LR/166LR elbow connector
- 370TR test rod
- 160GLR grounding elbow
- 160DR/160DRG insulated cap

Ratings

per ANSI/IEEE Standard 386
 15kV Voltage Class
 8.3kV Max Phase-to-Ground - Operating Voltage
 14.4kV Max Phase-to-Phase
 95kV BIL - Impulse Withstand (1.2 x 50 microsecond wave)
 34kV AC - One minute Withstand
 53kV DC - 15 Minutes Withstand
 11kV AC - Corona Extinction @ 3p.C.sensitivity
 200 Amp - Continuous and Loadbreak
 10kA Sym - 10 Cycles Momentary & Fault Close

Ordering Instructions:

To order, specify number **164FTV** Vertical Feed-thru

The 164FTV Vertical Feed-thru includes the following:

1 - Feed-thru body	164FTV
2 - Protective shipping cap	1601-APC-1
2 - Lubricant	82-08
1 - Installation instruction	IS -0377