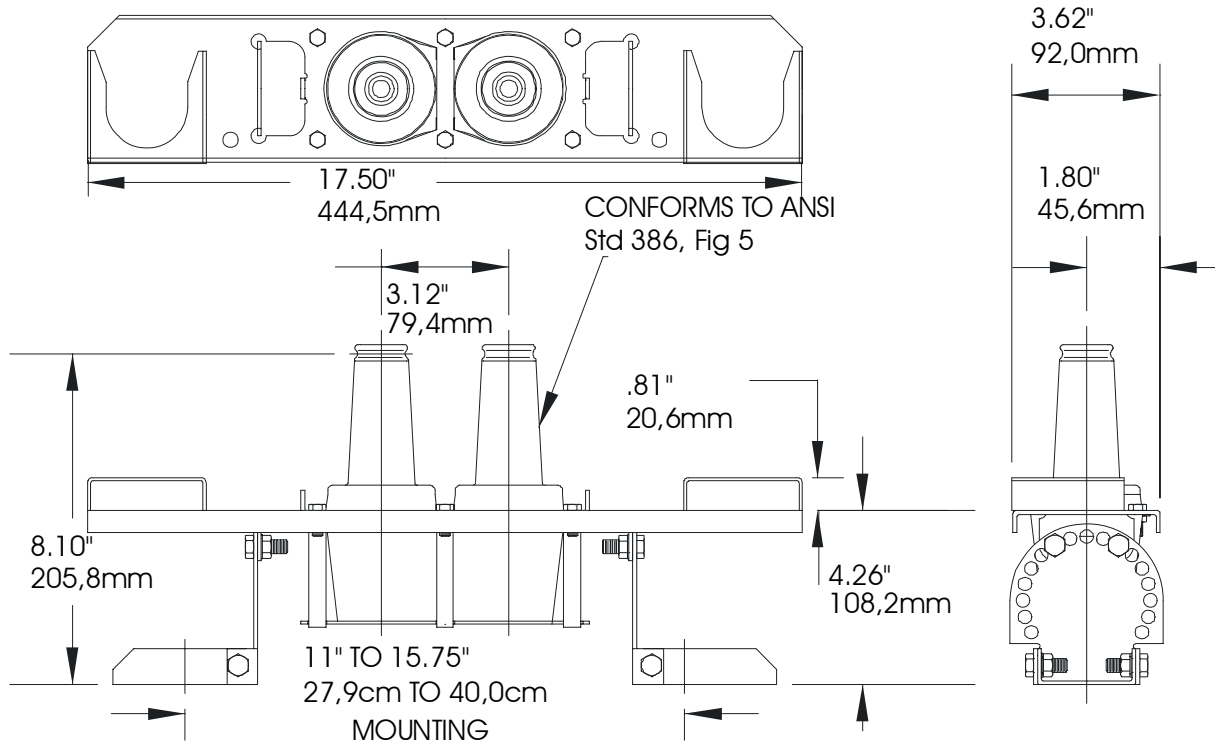


PRODUCT SPECIFICATION SHEET
I T C
15kV 200A Loadbreak Junction - 2 Way
164J2

Ratings:

per ANSI/IEEE Standard 386
 15kV Voltage Class
 8.3kV Max Phase-to-Ground - Operating Voltage
 14.4kV Max Phase-to-Phase
 95kV BIL - Impulse Withstand (1.2 x 50 microsecond wave)
 34kV AC - One minute Withstand
 53kV DC - 15 Minutes Withstand
 11kV AC - Corona Extinction @ 3p.C.sensitivity
 200 Amp - Continuous and Loadbreak
 10kA Sym - 10 Cycles Momentary & Fault Close

ELASTIMOLD junctions are designed for subsurface, vault or padmount applications and can be used for sectionalizing, looping, tapping, and equipment bypass. Junctions are designed to mate with other ELASTIMOLD products including:

- 165LR elbow connector
- 166LR elbow connector
- 160GLR grounding elbow
- 370TR test rod
- 160DR/DRG, 167/168DR insulated cap

ELASTIMOLD loadbreak junctions, provide a fully shielded, fully submersible, separable, insulated assembly designed for energized operation. They are suitable for use on 15-kV class distribution systems, and rated for 200-ampere loadmake/loadbreak operation. Junctions are equipped with universal brackets that accommodate curved or flat surfaces and provide tilt mounting angles from 0° to 90° in 15° increments.

Ordering Instructions:

Specify **164J2** for 15kV, 200 Amp, 2-way Loadbreak Junction
 Add "-5" at the end of the catalog number for junctions with "U" style mounting straps only.
 Add "-6" at the end of the catalog number for bracket only with "U" strap and mounting hardware.

The 164J2 2-way Junction kit contains the following:

1 – Basic Molded Junction	164J2
2 – Protective shipping cap	1601-APC-1
2 – Tube, lubricant	82-08
1 – Installation instruction	IS-0378