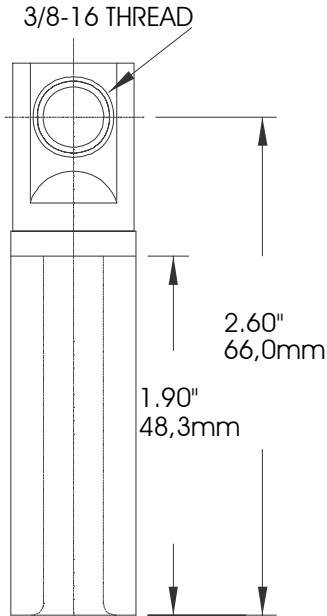


PRODUCT SPECIFICATION SHEET
I T C
200A Elbow Crimp Connector - AL
02500XXX

Ordering Instruction:

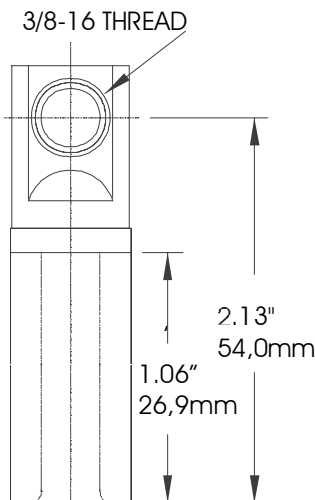
Using the table below, select a compression lug part number based on conductor size.

Conductor Size (AWG or kcmil)	Replacement Lug Number	
	Stranded/ Compr.	Solid/ Compact
2	02500220	02500210
1	02500230	02500220
1/0	02500240	02500230
2/0	02500250	02500240
3/0	02500260	02500250
4/0	02500270	02500260
250	-	02500270

02500XXX bi-metallic connectors consist of a copper top section and an aluminum crimp barrel. Units are designed for use with **165/166LR**, **273/274LR**, **375/376LR** and **156LR** elbows on aluminum or copper conductors.

DESCRIPTION

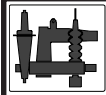
ELASTIMOLD PART NUMBER

200A Elbow Crimp Connector - CU
02702XXX

Ordering Instruction:

Using the table below, select a compression lug part number based on conductor size.

Conductor Size (AWG or kcmil)	Replacement Lug Number	
	Stranded/ Compr.	Solid/ Compact
2	02702220	02702210
1	02702230	02702220
1/0	02702240	02702230
2/0	02702250	02702240
3/0	02702260	02702250
4/0	02702270	02702260
250	-	02702270

02702XXX all copper crimp connectors are designed to be used with **165/166LR**, **273/274LR**, **375/376LR** and **156LR** elbows on copper conductors only.



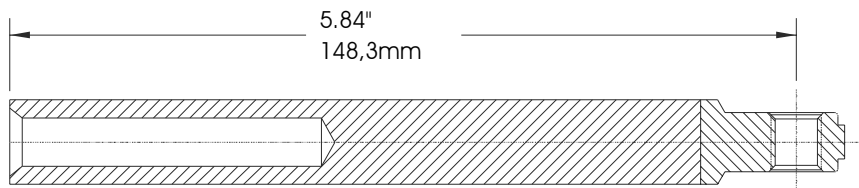
DESCRIPTION

200A Repair Elbow Crimp Connector

ELASTIMOLD PART NUMBER

02509XXX**Ordering Instruction:**

Using the table below, select a compression lug part number based on conductor size.



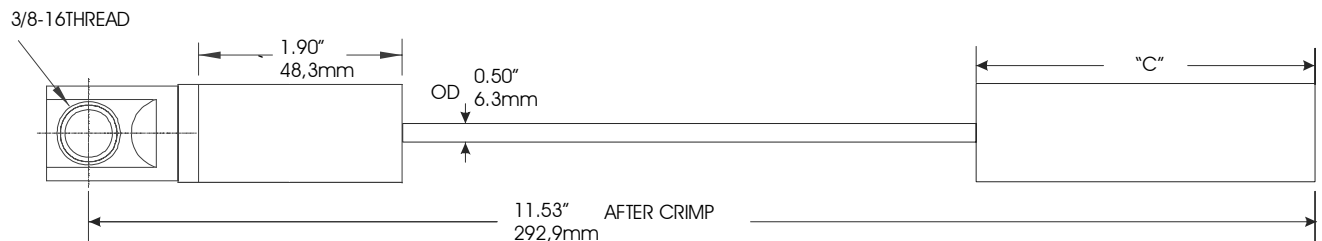
Conductor Size (AWG or kcMil)	Replacement Lug Number	
	Stranded/ Compr.	Solid/ Compact
2	02509220	02509210
1	02509230	02509220
1/0	02509240	02509230
2/0	02509250	02509240
3/0	02509260	02509250
4/0	02509270	02509260
250	-	02509270

02509XXX bi-metallic connectors consist of a copper top section and a aluminum crimp barrel. Units are designed for use with **167/168ELR** and **273/274ELR** repair elbows on aluminum or copper conductors.

DESCRIPTION

200A Replacement Elbow Crimp Connector

ELASTIMOLD PART NUMBER

00400XXX**Ordering Instruction:**

Using the table below, select a compression lug part number based on conductor size.

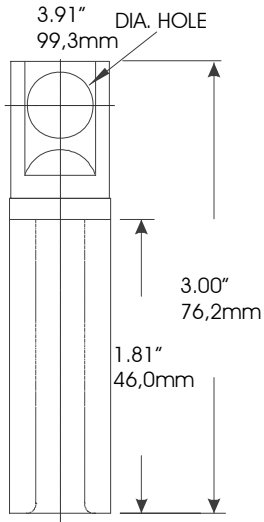
Conductor Size (AWG or kcMil)	Replacement Lug Number	
	Stranded/ Compr.	Solid/ Compact
2	00400220	00400210
1	00400230	00400220
1/0	00400240	00400230
2/0	00400250	00400240
3/0	00400260	00400250
4/0	00400270	00400260
250	-	00400270

00400XXX bi-metallic connectors consist of a copper top section and a aluminum crimp barrel. Units are designed for use with **167/168RLR** and **273/274RLR** elbows on aluminum or copper conductors.

DESCRIPTION

200A Bolted Elbow Crimp Connector

ELASTIMOLD PART NUMBER

02800XXX

Ordering Instruction:

Using the table below, select a compression lug part number based on conductor size.

Conductor Size (AWG or kcmil)	Replacement Lug Number	
	Stranded/ Compr.	Solid/ Compact
2	02800220	02800210
1	02800230	02800220
1/0	02800240	02800230
2/0	02800250	02800240
3/0	02800260	02800250
4/0	02800270	02800260
250	-	02800270

02800XXX bi-metallic connectors consist of a copper top section and a aluminum crimp barrel. Units are designed for use with **167LRT** bolted elbows on aluminum or copper conductors.

