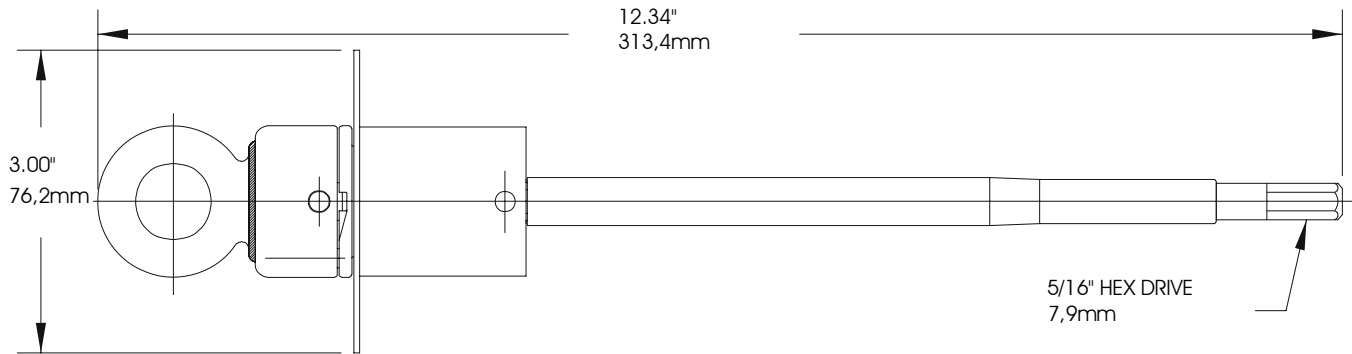


PRODUCT SPECIFICATION SHEET		I T C
Installation Tool		200AT



The **200AT** installation tool can be used to install the 200A loadbreak bushing insert include 1601A4 and 2701A4 with proper torque, the torque is pre-set at 180 inch-pounds.