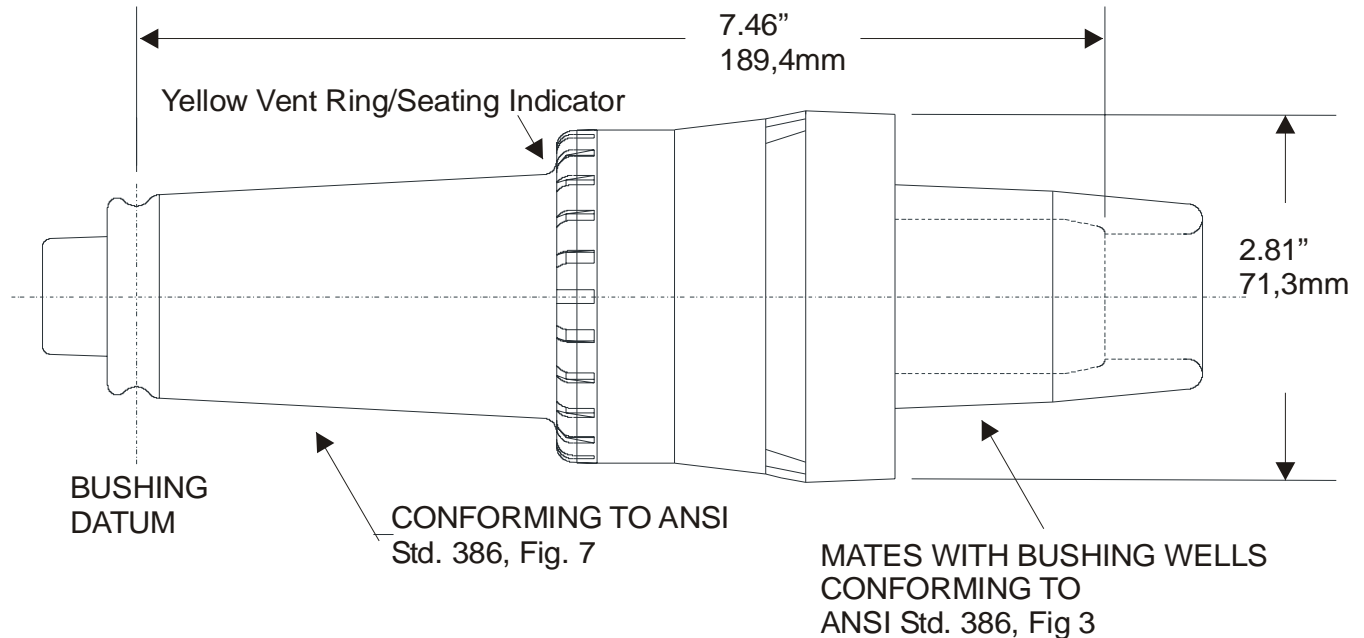


**PRODUCT SPECIFICATION SHEET**
**I T C**
**25kV 200A Load-break Bushing Insert**
**2701A4**


The Elastimold 2701A4 bushing insert is fully rated with a 25kV class, 200 Amp load break bushing interface. The load-break bushing insert fits a standard ANSI bushing well interface and becomes the apparatus bushing interface for elbow connections.

### Features

- 25kV 200 Amp loadbreak rated.
- Includes hex-broach for torque installation.
- Peroxide-cured insulation and jacket.
- Provision for ground wire connection.
- Venting Ring/Seating Indicator.

### Ordering Instructicon:

To order, specify number **2701A4** bushing insert.

The 2701A4 bushing insert includes the following:

|                              |         |
|------------------------------|---------|
| 1 – bushing insert           | 2701A4  |
| 1 – Protective shipping cap  | 2701-41 |
| 1 – Lubricant                | 82-08   |
| 1 – Installation instruction | IS-0748 |

### Ratings

per ANSI/IEEE Standard 386

25kV Voltage Class

15.2kV Max Phase-to-Ground - Operating Voltage

26.3kV Max Phase-to-Phase

125kV BIL - Impulse Withstand (1.2 x 50 microsecond wave)

40kV AC - One minute Withstand

78kV DC - 15 Minutes Withstand

19kV AC - Corona Extinction @ 3 pC sensitivity

200 Amp - Continuous and Loadbreak

10kA Sym - 10 Cycles Momentary & Fault Close

### Applications

It may be used as the bushing interface for connecting shielded cable to the following:

- \* Sub-surface transformers
- \* Pad mounted transformers
- \* Regulators
- \* Generators
- \* Switchgear
- \* Reclosers

Designed for use as an apparatus bushing interface, the 2701A4 is easily installed in an ELASTIMOLD universal bushing well and mated with an appropriate ELASTIMOLD product.