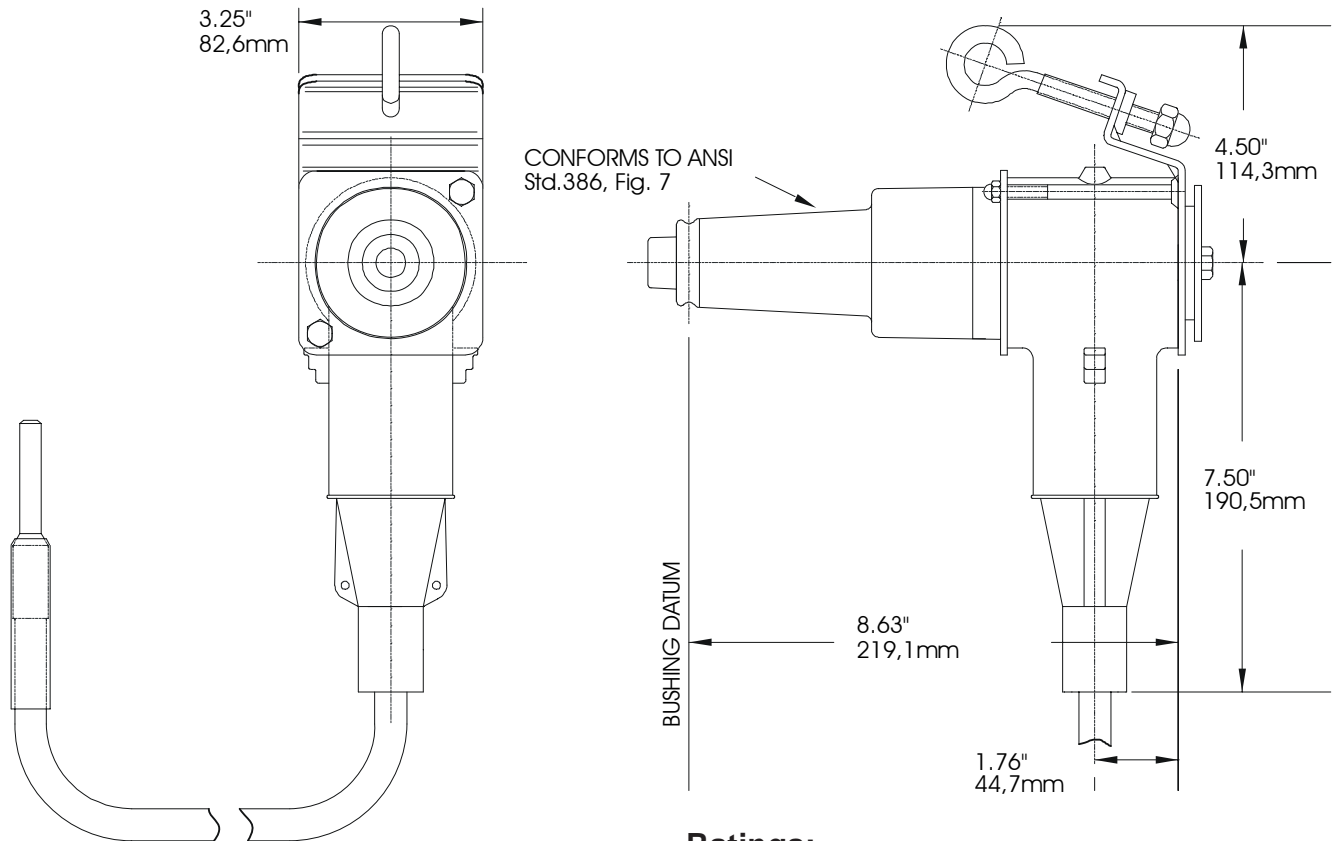


<b>PRODUCT SPECIFICATION SHEET</b>	<b>I T C</b>
<b>25kV 200A Grounding Plug</b>	<b>272GP</b>



The Elastimold 272GP Grounding Plug is equipped with a 25kV class, 200 Amp loadbreak interface, 6 feet (183cm) of 1/0 AWG grounding cable, stainless steel mounting bracket and hot stick operable mounting hardware. The 272GP Grounding Plug is inserted into a standard parking stand with an insulated hot stick and secures in place. Mating Elastimold 25kV class loadbreak elbows can then be removed from the equipment and placed on the 272GP Grounding Bushing to ground the circuit.

**Features:**

- Contains a fully operational fault close mechanism in the grounding plug.
- Stainless Steel mounting bracket.
- 5/16"-18 stainless steel eyebolt with brass cap nut allows hot stick installation and firmly secures the 272GP into the mating parking stand.

**Ratings:**

per ANSI/IEEE Standard 386  
 25kV Voltage Class  
 200Amp - Continuous  
 10kA Sym - 10 Cycles Momentary & Fault Close

**Applications:**

The 272GP Grounding plug can be utilized if there is not enough room for a feed thru and a grounding elbow when the transformer is overcrowd with multiple secondaries. The 272GP Grounding Plug is an operating accessory used to ground circuit connected with loadbreak elbows as required during switching or system maintenance.

**Ordering Instructions:**

To order, specify catalog number 272GP Grounding Plug.

**The 272GP Grounding Plug includes the following:**

1 – Grounding plug	272GP
1 – Lubricant	82-08
1 – Protective shipping cap	2701-41
1 – Installation instruction	IS-0385