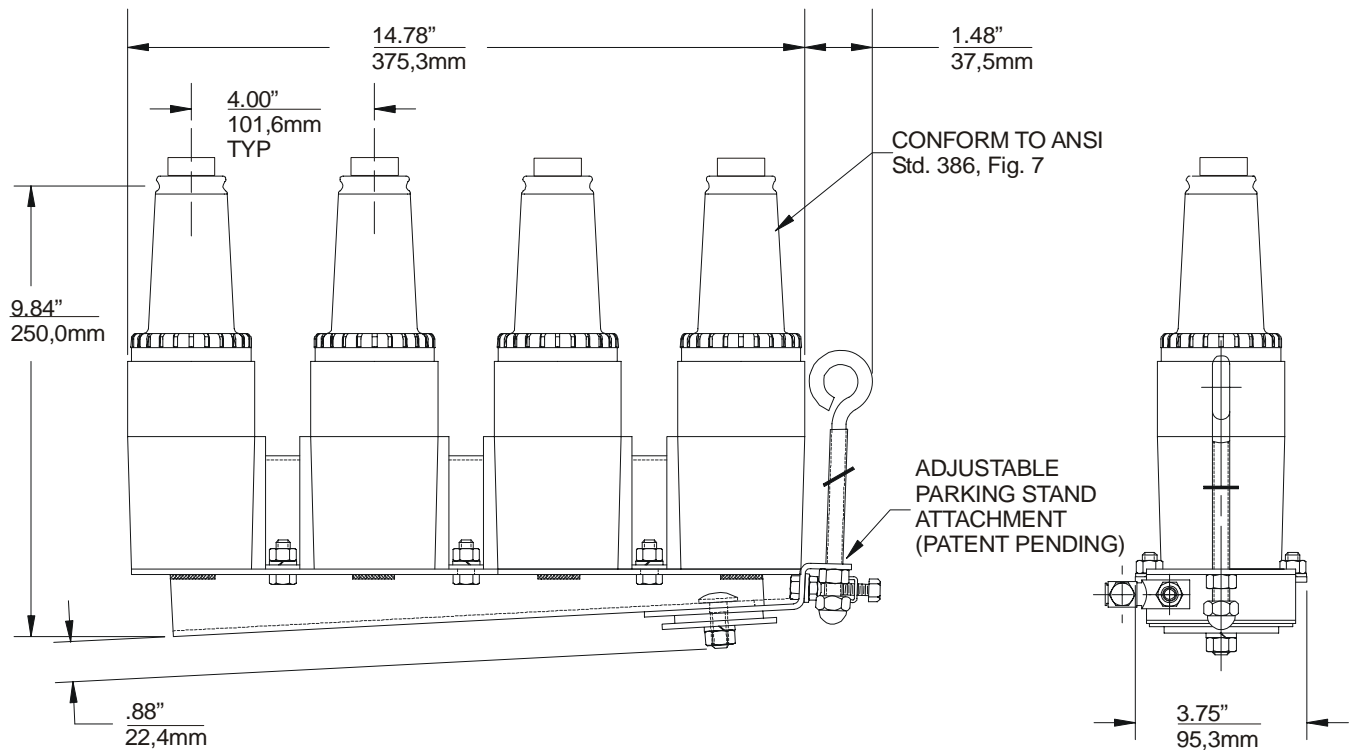


**PRODUCT SPECIFICATION SHEET**
**I T C**
**25kV 200A Loadbreak Feed-Thru 4**
**274FT4-AB**

**Ratings:**

per ANSI/IEEE Standard 386  
 25kV Voltage Class  
 15.2kV Max Phase-to-Ground - Operating Voltage  
 26.3kV Max Phase-to-Phase  
 125kV BIL - Impulse Withstand (1.2 x 50 microsecond wave)  
 40kV AC - One Minute Withstand  
 78kV DC - 15 Minutes Withstand  
 19kV AC - Corona Extinction @ 3pC Sensitivity  
 200 Amp - Continuous and Loadbreak  
 10kA Sym - 10 Cycles Momentary & Fault Close

**Ordering Instructions:**

To order, specify number **274FT4-AB** feed-thru

**The 274FT4-AB feed-thru includes the following:**

1 – Feed-thru body	274FT4-AB
4 – Protective shipping caps	2701-41
4 – Lubricants	82-08
1 – Installation instruction	IS-1102

The 274FT4-AB feed-thru is a fully shielded, fully submersible, separable insulated connector designed for energized operation. It is suitable for use on 25kV class loadbreak. When used in conjunction with 25kV class elbow connectors, the 274FT4-AB provides the circuit with the loadbreak junction point. Testing and grounding of the circuit is accomplished when the 274FT4-AB is used in conjunction with the 370TR and 370GLR. When used in conjunction with a 273DRG/274DRG, the 274FT4-AB can be used to isolate and “dead-end” the circuit. The 274FT4-AB is designed to reduce the number of accessories and reduce the number of operating steps required, therefore simplifying a three-phase padmounted transformer change-out. The 274FT4-AB adjustable bracket allows the parking stand attachment to be adjusted left and right and the feed-thru tilt to facilitate the best operating placement. The 274FT4-AB is designed to mate with the following Elastimold products:

- 273LR/274LR & 275/276LR elbow connector
- 370TR test rod
- 370GLR grounding elbow
- 273DRG/274DRG insulated cap