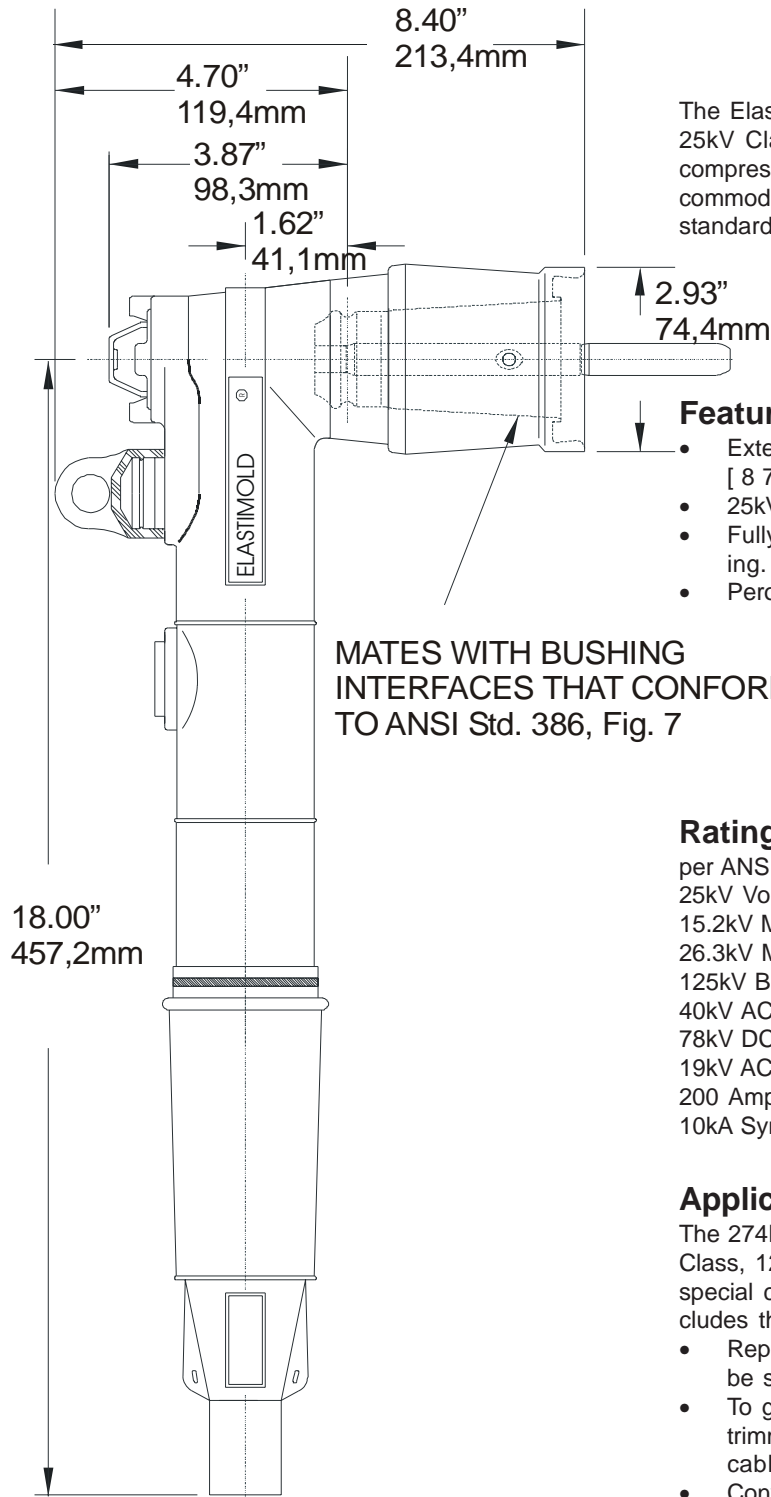


PRODUCT SPECIFICATION SHEET
I T C
25kV 200A Replacement Elbow
274RLR-W5X
(W/ Test Point)


The Elastimold 274RLR Replacement Elbow is a fully rated 25kV Class loadbreak elbow connector with a lengthened compression lug and housing. The Replacement Elbow accommodates cables that are too short to be connected to a standard elbow.

Features

- Extended length housing and compression lug [8 7/8" (225,4mm)].
- 25kV, 200A Loadbreak Elbow Connector.
- Fully shielded, fully submersible molded rubber housing.
- Peroxide-cured insulation, insert and jacket.

MATES WITH BUSHING INTERFACES THAT CONFORM TO ANSI Std. 386, Fig. 7

Ratings

per ANSI/IEEE Standard 386
 25kV Voltage Class
 15.2kV Max Phase-to-Ground - Operating Voltage
 26.3kV Max Phase-to-Phase
 125kV BIL - Impulse Withstand (1.2 x 50 microsecond wave)
 40kV AC - One minute Withstand
 78kV DC - 15 Minutes Withstand
 19kV AC - Corona Extinction @ 3p.C.sensitivity
 200 Amp - Continuous and Loadbreak
 10kA Sym - 10 Cycles Momentary & Fault Close

Applications

The 274RLR is designed for connecting to and operating 25kV Class, 125kV BIL distribution apparatus. Typical uses for the special characteristics of the 274RLR Replacement Elbow includes the following:

- Repair of a failed elbow connection where the cable must be stripped back and a new compression lug applied.
- To gain extra length when cables have been accidentally trimmed too short or to connect new apparatus to existing cables.
- Convert equipment connections from live front to dead front without changing cable.

