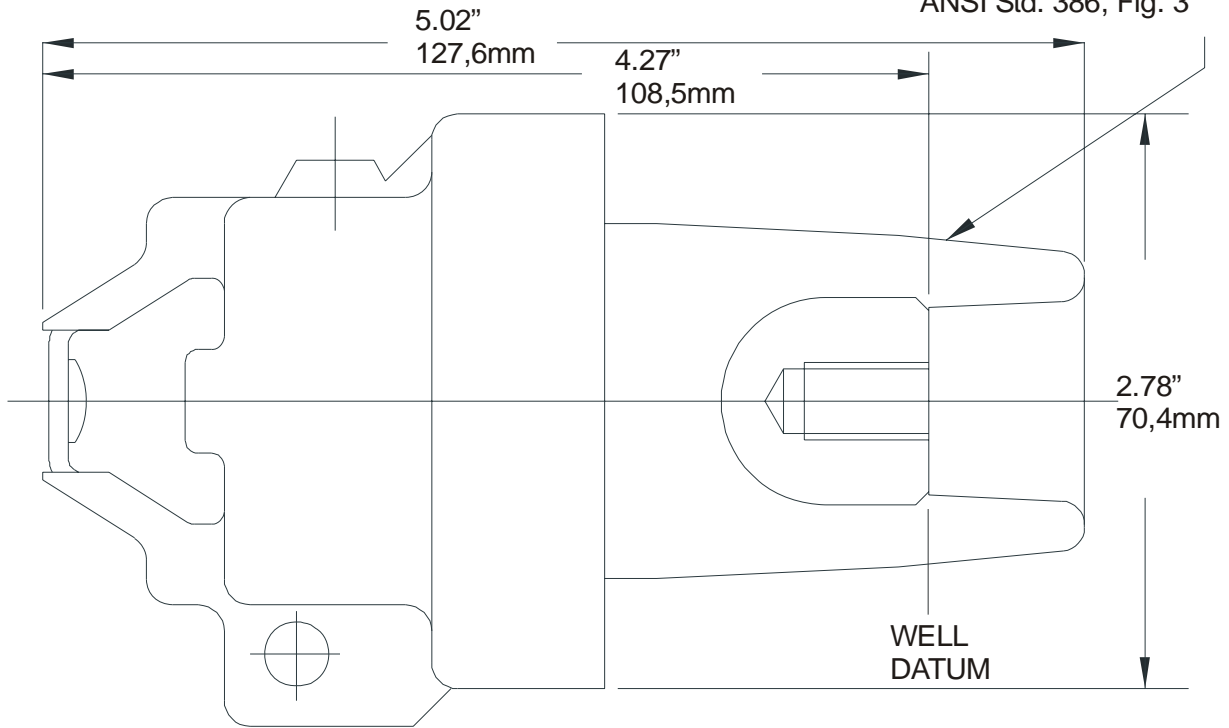


PRODUCT SPECIFICATION SHEET		I T C
25kV 200A Bushing Well Plug		276BWP

MATES WITH BUSHING WELLS CONFORMING TO ANSI Std. 386, Fig. 3



Application:

The Elastimold 276BWP bushing well plug is a fully shielded, fully submersible, insulating plug designed for de-energized operation. It is suitable for use on 15/25 kV class bushing wells to "dead-end" the transformer or switchgear for testing purposes.

Ordering Instructions:

To order, specify number **276BWP**.

The 276BWP bushing well plug includes the following:

- 1 – bushing well plug 276BWP
- 1 – Lubricant 82-08
- 1 – Installation instruction IS - 0286

Ratings

- per ANSI/IEEE Standard 386
- 25kV Voltage Class
- 15.2kV Max Phase-to-Ground - Operating Voltage
- 26.3kV Max Phase-to-Phase
- 125kV BIL - Impulse Withstand (1.2 x 50 microsecond wave)
- 40kV AC - One minute Withstand
- 78kV DC - 15 Minutes Withstand
- 19kV AC - Corona Extinction @ 3p.C.sensitivity
- 10kA Sym - 10 Cycles Momentary
- 200Amp - Continuous