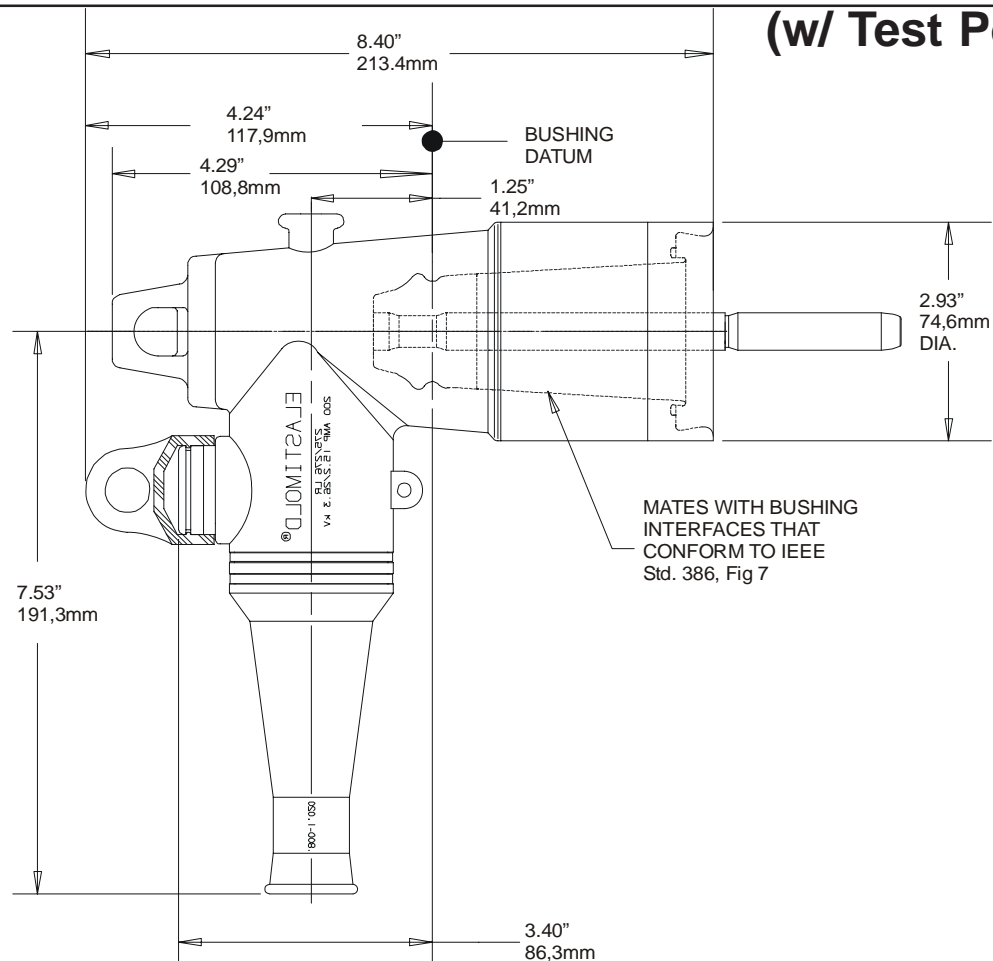


PRODUCT SPECIFICATION SHEET
I T C
25kV 200A Loadbreak Elbow
276LR-W5X
(w/ Test Point)


The Elastimold 276LR Elbow Connector is a fully rated 25kV, 200 Amp Class loadbreak connector. It includes provisions for energized operation using standard hotstick tools allowing loadmake/loadbreak operation and a visible disconnect. It has a standard interface for connecting to 25kV, 200 Amp bushing inserts, junctions and operating accessories.

Features

- 25kV, 200 Amp Loadbreak Elbow
- Fully shielded, fully submersible molded rubber housing.
- 100% peroxide-cured construction includes insulation and conductive EPDM materials.
- Provision for hot stick operation.
- Provision for ground wire connection.
- Wide cable range with minimum number of sizes.
- Long bi-metal compression lug is standard.

Ratings

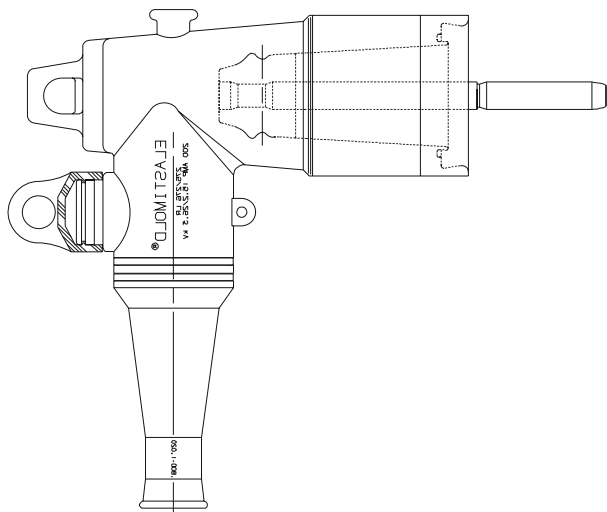
- per ANSI/IEEE Standard 386
- 25kV Voltage Class
- 15.2kV Max Phase-to-Ground - Operating Voltage
- 26.3kV Max Phase-to-Phase
- 125kV BIL - Impulse Withstand (1.2 x 50 microsecond wave)
- 40kV AC - One minute Withstand
- 78kV DC - 15 Minutes Withstand
- 19kV AC - Corona Extinction @ 3p.C.sensitivity
- 200 Amp - Continuous and Loadbreak
- 10kA Sym - 10 Cycles Momentary & Fault Close

Applications

The 276LR is designed for connecting to and operating 25kV Class, 200 Amp distribution apparatus. It provides a convenient method to connect/disconnect cable and equipment on power distribution systems. The 276LR allows connection of cables with insulation diameters from .800" (20,3mm) to 1.170" (29,7mm) with only four elbow sizes. (#2 solid to 4/0 stranded, 260 mil)

25kV 200A Loadbreak Elbow (w/ Test Point)

276LR-W5X



Ordering Instruction:

Step 1 (W)

Determine the insulation diameter of the cable. Select the insulation letter code that best straddles the insulation diameter. Insert code into catalog number.

Step 2 (M)

Connector material, 5 - for standard copper top bi-metal or 2 - for copper.

Step 3 (X)

Choose the proper compression lug code according to the conductor size. Insert code into the catalog number after the insulation code.

276LR — — **5***

Step 1 (W) Step 2 (M) Step 3 (X)

Cable Insulation Dia. Range		Elbow Code	COMPRESSION LUG			
Inches	mm		AWG or kcmil		mm ²	Symbol
			Stranded/ Compr.	Solid/ Compact	Compact Only	for "X"
.800 - 1.020	20.32 - 25.90	CC	--	2	25	210
.940 - 1.170	23.89 - 29.72	DD	2	1	35	220
			1	1/0	50	230
			1/0	2/0	60	240
			2/0	3/0	70	250
			3/0	4/0	95	260
			4/0	250	125	270

Cu or AL conductor

The 276LR-W5X Elbow Connector kit contains the following:

- 1 - Elbow connector housing 276BLR-W
- 1 - Bi-metal compression lug 02500XXX (Table R)
- 1 - Probe 274LRF
- 1 - Probe wrench 271-94
- 1 - Tube, lubricant 82-08
- 1 - Installation instruction IS-1029
- 1 - Crimp chart CC-0200

Example:

The ordering number for an Elbow Connector for a 1/0 stranded, 260 mil wall cable with an insulation diameter of .955" (23.4 mm) is 276LR-H-5240.

*For an all-copper compression lug for use on copper cable only, substitute the prefix "2" instead of "5" in the compression lug code. The ordering number would be 273LR-H-2240.

Table R

AWG or kcmil		mm ² Compact Only	Symbol for Copper	Symbol for Bi-Metal
Stranded/ Compr.	Solid/ Compact			
--	2	30	02702210	02500210
2	1	35	02702220	02500220
1	1/0	50	02702230	02500230
1/0	2/0	60	02702240	02500240
2/0	3/0	70	02702250	02500250
3/0	4/0	95	02702260	02500260
4/0	250	125	02702270	02500270

*Cu or Al Conductor