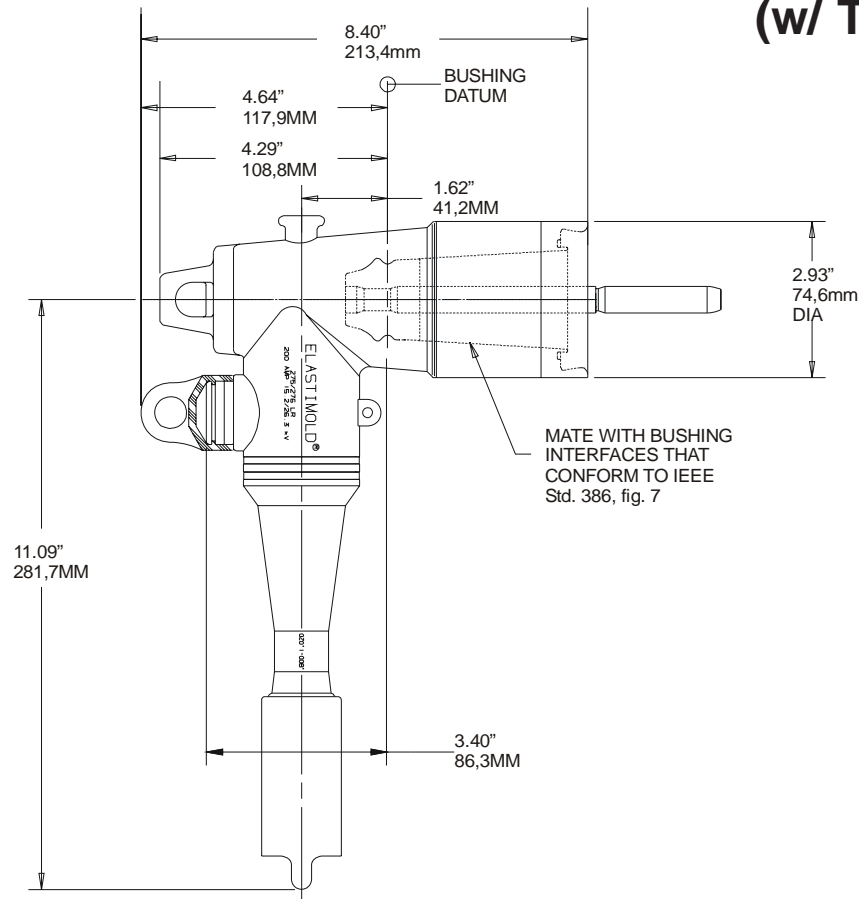


**PRODUCT SPECIFICATION SHEET**
**I T C**
**25kV 200A Jacket Seal Loadbreak Elbow**
**276LRJS-W5X**
**(w/ Test Point)**


The Elastimold 276LRJS Elbow Connector is a fully rated 25kV, 200 Amp Class loadbreak connector. It includes provisions for energized operation using standard hotstick tools allowing loadmake/break operation and a visible disconnect. It has a standard interface for connecting to 25kV, 200 Amp bushing inserts, junctions and operating accessories. The 276LRJS are equipped with an integral voltage test point.

### Features

- 25kV, 200 Amp Loadbreak Elbow
- Fully shielded, fully submersible molded rubber housing.
- 100% peroxide-cured construction includes insulation and conductive EPDM materials.
- Non-corrosive, capacitively coupled voltage test point provision with removable protective cap.
- Provision for hot stick operation.
- Provision for ground wire connection.
- Wide cable range with minimum number of sizes.
- Long bi-metal compression lug is standard.
- Built-in cable jacket seal.

### Ratings

per ANSI/IEEE Standard 386  
 25kV Voltage Class  
 15.2kV Max Phase-to-Ground - Operating Voltage  
 26.3kV Max Phase-to-Phase  
 125kV BIL - Impulse Withstand (1.2 x 50 microsecond wave)  
 40kV AC - One minute Withstand  
 78kV DC - 15 Minutes Withstand  
 19kV AC - Corona Extinction @ 3p.C.sensitivity  
 200 Amp - Continuous and Loadbreak  
 10kA Sym - 10 Cycles Momentary & Fault Close

### Applications

The 276LRJS is designed for connecting to and operating 25kV Class, 200 Amp distribution apparatus. It provides a convenient method to connect/disconnect cable and equipment on power distribution systems. The 276LRJS allows connection of cables with insulation diameters from .800" (20,3mm) to 1.170" (29,7mm) with only four elbow sizes. (#2 solid to 4/0 stranded, 260 mil).

