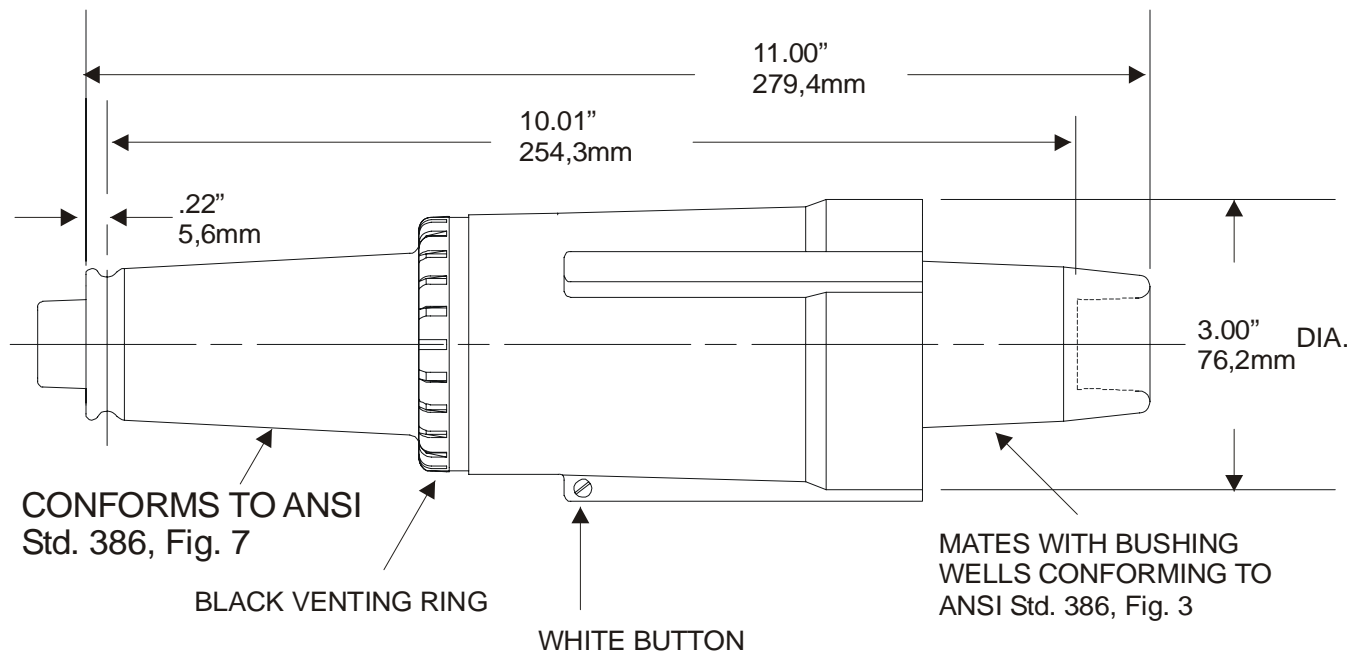


PRODUCT SPECIFICATION SHEET
I T C
35kV 200A Load-break Bushing Insert
3701A3


The Elastimold 3701A3 bushing insert is fully rated with a 35kV class, 200 Amp load-break bushing interface. The load-break bushing insert fits a standard ANSI bushing well interface and becomes the apparatus bushing interface for elbow connections.

Features

- Fully rated for 1 Ø and 3 Ø 35kV switching.
- 35kV, 200 Amp load-break rated
- Includes hex-broach for torque installation.
- Peroxide-cured insulation and jacket.
- Provision for ground wire connection.
- VENTING RING.

Ordering Instruction:

To order, specify number **3701A3** bushing insert.

The 3701A3 bushing insert includes the following:

| | |
|------------------------------|---------|
| 1 – Bushing insert | 3701A3 |
| 1 – Protective shipping cap | 2701-41 |
| 1 – Lubricant | 82-08 |
| 1 – Installation instruction | IS-0358 |

Ratings

per ANSI/IEEE Standard 386
 35kV Voltage Class 1 Ø and 3 Ø
 21.1kV Max Phase-to-Ground - Operating Voltage
 36.6kV Max Phase-to-Phase
 150kV BIL - Impulse Withstand (1.2 x 50 microsecond wave)
 50kV AC - One minute Withstand
 103kV DC - 15 Minute Withstand
 26kV AC - Corona Extinction @ 3 Pc sensitivity
 200 Amp - Continuous and Loadbreak
 10kA Sym - 10 Cycles Momentary & Fault Close

Applications

It may be used as the bushing interface for connecting shielded cable to the following:

- * Sub-surface transformers
- * Pad mounted transformers
- * Regulators
- * Generators
- * Switchgear
- * Reclosers

Designed for use as an apparatus bushing interface, the 3701A3 is easily installed in an ELASTIMOLD universal bushing well and mated with an appropriate ELASTIMOLD product.