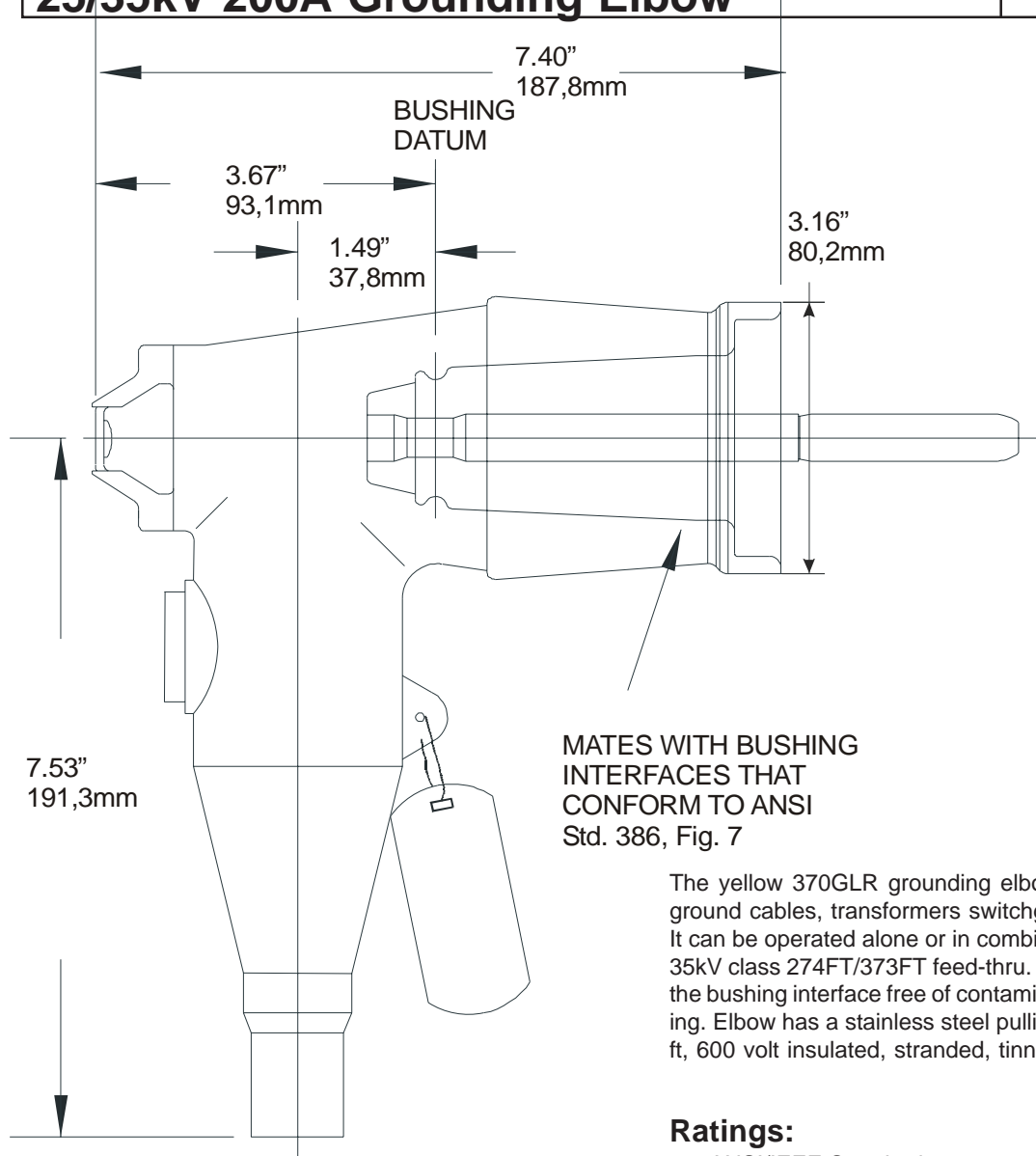


PRODUCT SPECIFICATION SHEET
I T C
25/35kV 200A Grounding Elbow
370GLR


The yellow 370GLR grounding elbow is designed to visibly ground cables, transformers switchgear or other equipment. It can be operated alone or in combination with the 25kV and 35kV class 274FT/373FT feed-thru. The 370GLR also keeps the bushing interface free of contamination during the grounding. Elbow has a stainless steel pulling eye and a 1/0 AWG, 6 ft, 600 volt insulated, stranded, tinned copper ground lead.

Ratings:

per ANSI/IEEE Standard 386
 35kV Voltage Class
 10kA Sym - 10 Cycles Momentary & Fault Close
 200Amp - Continuous

Ordering Instructions:

To order, specify catalog number **370GLR** Grounding Plug

The 370GLR Grounding Plug includes the following:

1 - Grounding Plug	370GLR
1 - Lubricant	82-08
1 - Protective Shipping Cap	160-164-2
1 - Operation instruction	IS-0269