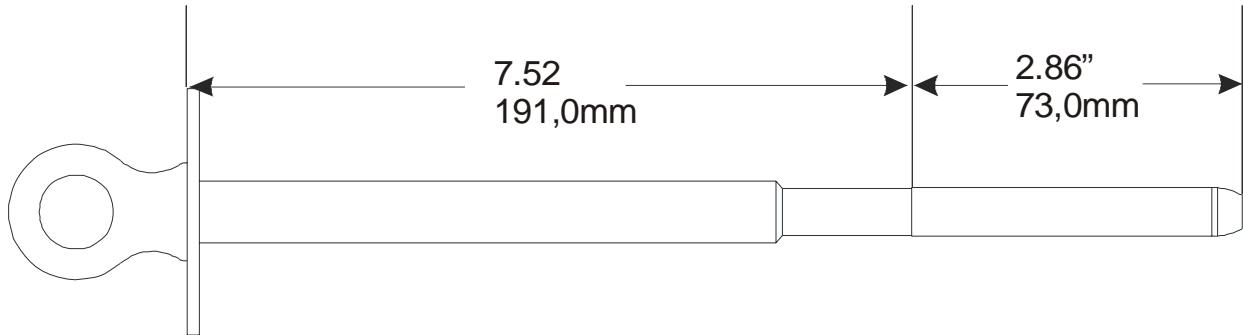


PRODUCT SPECIFICATION SHEET		I T C
Test Rod		370TR



The Elastimold **370TR** test rod is designed to test & allow determination the condition of the circuit. It is designed to mate with all the Elastimold 200 Amp loadbreak bushing products.

Ordering Instructions:

To order, specify number **370TR** Test Rod.

The 370TR includes the following:

1 – Test Rod 370TR