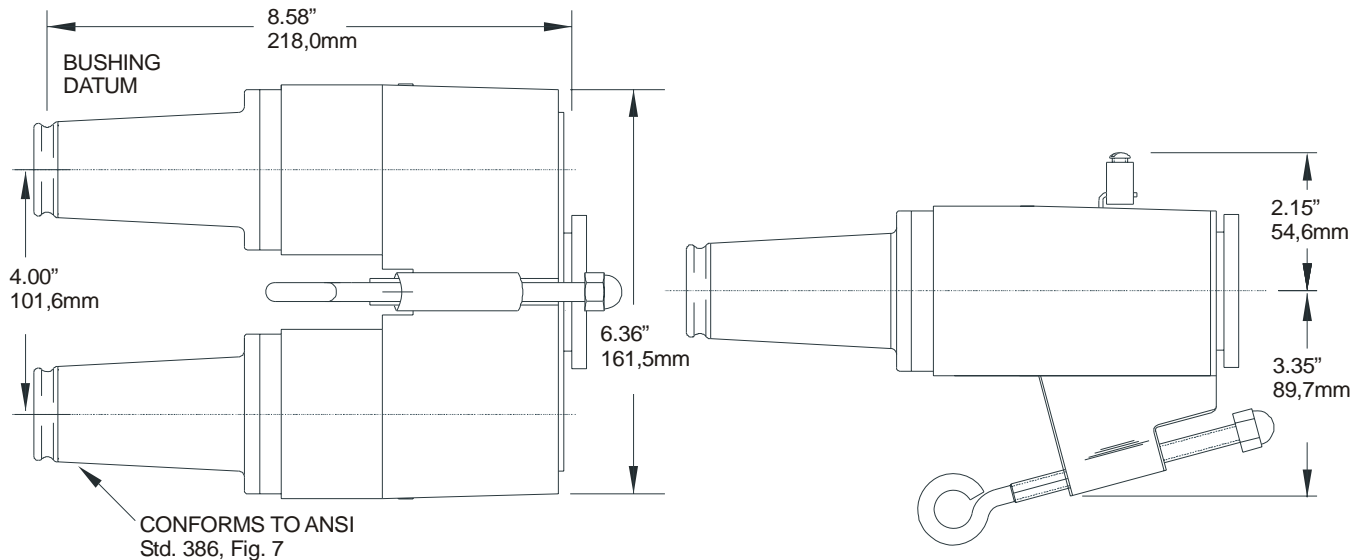


PRODUCT SPECIFICATION SHEET
I T C
35kV 200A Loadbreak Feed-Thru
373FT


The 373FT feed-thru is a fully shielded, fully submersible, separable insulated connector designed for energized operation. It is suitable for use on 35kV class loadbreak systems. When used in conjunction with 35kV class elbow connectors, the 373FT provides the circuit with the loadbreak junction point. Testing and grounding of the circuit is accomplished when the 373FT is used in conjunction with the 370TR and 370GLR. When used in conjunction with a 375DRG/376DRG the 373FT can be used to isolate and "dead-end" the circuit. The 373FT is designed to mate with the following Elastimold products:

- 375LR/376LR elbow connector
- 370TR test rod
- 370GLR grounding elbow
- 375DRG/376DRG insulated cap

Ratings:

per ANSI/IEEE Standard 386
 35kV Voltage Class 1 Ø and 3 Ø
 21.1kV Max Phase-to-Ground - Operating Voltage
 36.6kV Max Phase-to-Phase
 150kV BIL - Impulse Withstand (1.2 x 50 microsecond wave)
 50kV AC - One minute Withstand
 103kV DC - 15 Minutes Withstand
 26kV AC - Corona Extinction @ 3p.C.sensitivity
 200 Amp - Continuous and Loadbreak
 10kA Sym - 10 Cycles Momentary & Fault Close

Ordering Instructions:

To order, specify number **373FT** Feed-thru

The 373FT Feed-thru includes the following:

1 – Feed-thru body	373FT
2 – Protective shipping cap	2701-41
2 – Lubricant	82-08
1 – Installation instruction	IS-0079