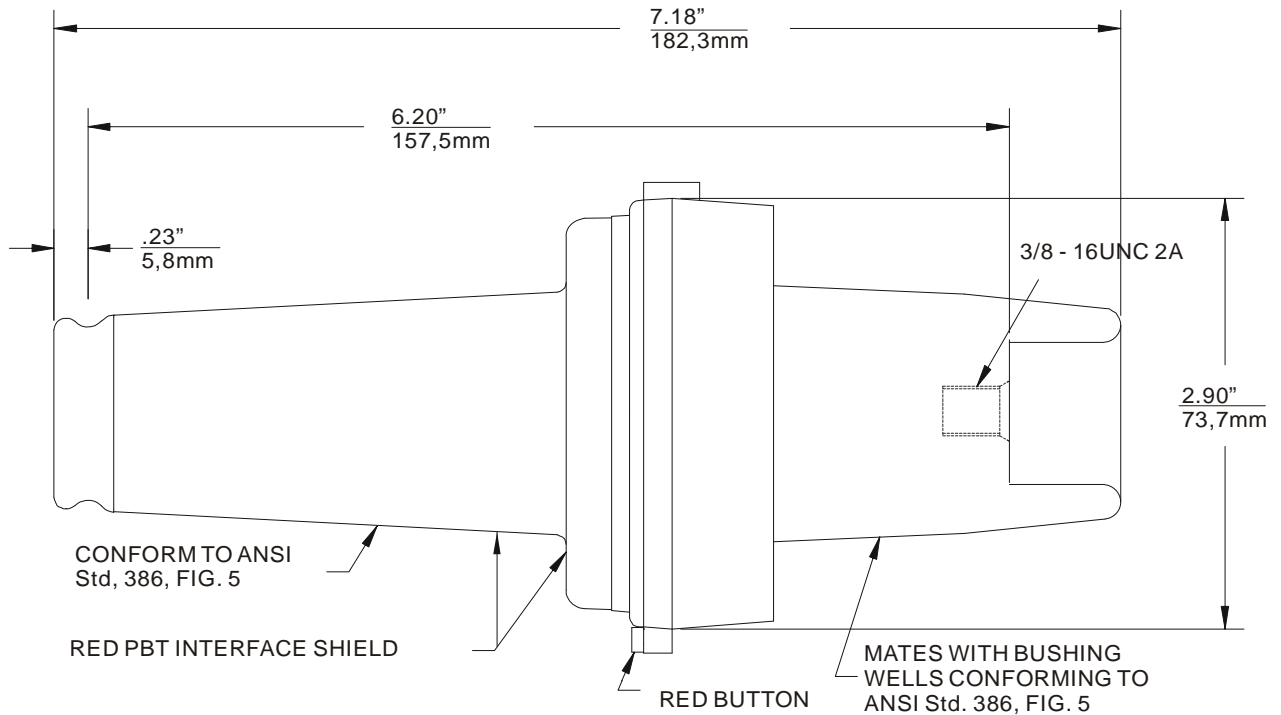


PRODUCT SPECIFICATION SHEET	I T C
15kV 200A Loadbreak Bushing Insert	1601A4



The Elastimold 1601A4 bushing insert is fully rated with a 15kV class, 200 Amp load break bushing interface. The load-break bushing insert fits a standard ANSI bushing well interface and becomes the apparatus bushing interface for elbow connections.

Features:

- 15kV, 200 Amp Loadbreak rated.
- Includes hex-broach for torque installation.
- Peroxide-cured insulation and jacket.
- Provision for ground wire connection.
- Red PBT interface shield.
- All copper current path.

Ordering Instruction:

To order, specify number **1601A4** bushing insert.

The 1601A4 bushing insert includes the following:

- | | |
|------------------------------|------------|
| 1 – Bushing insert | 1601A4 |
| 1 – Protective shipping cap | 1601-APC-1 |
| 1 – Lubricant | 82-08 |
| 1 – Installation instruction | IS-0749 |

Ratings

- per ANSI/IEEE Standard 386
- 15kV Voltage Class
- 8.3kV Max Phase-to-Ground - Operating Voltage
- 14.4kV Max Phase-to-Phase
- 95kV BIL - Impulse Withstand (1.2 x 50 microsecond wave)
- 34kV AC - One minute Withstand
- 53kV DC - 15 Minutes Withstand
- 11kV AC - Corona Extinction @ 3p.C.sensitivity
- 200 Amp - Continuous and Loadbreak
- 10kA Sym - 10 Cycles Momentary & Fault Close

Applications:

It may be used as the bushing interface for connecting shielded cable to the following:

- | | |
|----------------------------|--------------|
| * Sub-surface transformers | * Generators |
| * Pad mounted transformers | * Switchgear |
| * Regulators | * Reclosers |

Designed for use as an apparatus bushing interface, the 1601A4 is easily installed in an ELASTIMOLD universal bushing well and mated with an appropriate ELASTIMOLD product.